

KOTIBHASKAR MATERIAL HANDLING EQUIPMENTS

KOTIBHASKAR



www.kotibhaskar.in

REVOLUTION IN MATERIAL HANDLING

2015 - A

WELCOME TO THE WORLD OF PREMIER**Mr. Amod Kotibhaskar**

Dear Customer,

It gives us pleasure to introduce ourselves as one of the leading manufacturer and exporter of material handling equipments and trolleys. The factory has all the facilities to conceive, design & manufacture a wide range of material handling equipments and trolleys. We are continuously adding new & innovative products to improve overall material handling.

The company started in year 2000, has dedicated itself to the field of material handling equipments & trolleys. Over last 15 years our research & development team have developed more than 80 innovative products to mark our company as a widest range of material handling equipments & trolleys.

You will find this catalogue to be valuable tool, time saver and a source of ideas. Please feel free to call for any clarification or any additional information that you desire to have. We assure you Sir, of our prompt response.

Thanking You

**AIM - QUALITY, RELIABILITY, SERVICE**

We aim to provide world class material handling equipments with technological advances and state of the art design along with world class production to satisfy customer requirements. Customers satisfaction is our obsession.

We will provide quality equipments that will save man power, man efforts, man hours, fatigue and will provide smooth flow of material.

**SAFETY - OUR FIRST PREFERENCE**

All equipments are designed considering maximum safety parameters to provide safe and accident free material handling. Produced under supervision of highly qualified technical staff, all equipments are critically tested to achieve these safety parameters. Please note that equipment should be operated only by an authorised person who is having complete knowledge of equipment.

**BUSINESS ASSOCIATES - KEY OF SUCCESS**

Our equipments are back up with rigid technical base, prompt service with inbuilt high quality & reliability. Our products are being appreciated by several large scale companies, OEMs, SPM manufacturers and other industries. As a result of this we are growing at the rate of 30 to 35% every year. We are proud to say that our statistics shows that about 40% of our orders are repeated orders from our satisfied customers.

**QUALITY POLICY**

We all at "Kotibhaskar Material Handling Equipments" are committed to enhance customer satisfaction by offering products and services, conforming to specifications in time which are cost effective in market.

We shall achive this by continual improvement and effective implementation of quality management systems and modern technology, in view of changing market scenario.

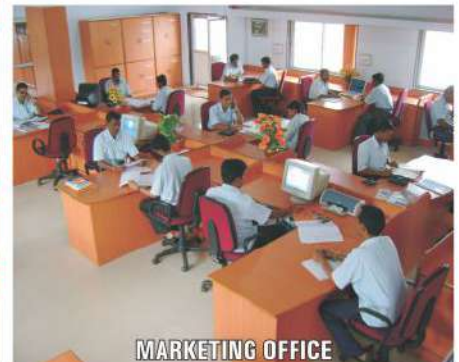
OFFICE SETUP



OFFICE



WARM WELCOME



MARKETING OFFICE



CONFERENCE HALL



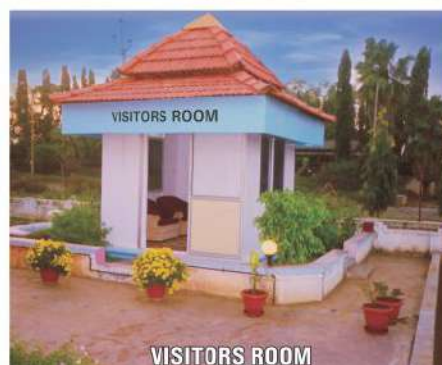
RECEPTION



EXECUTIVE MEETING



DESIGN OFFICE



VISITORS ROOM



ENVIRONMENT FRIENDLY ATMOSPHERE

Our strength lies in our team work. We at Premier strive for the customer satisfaction because work in unison. We leave no stone unturned to give you satisfaction built into our products and services... right from the enquiry stage to the final delivery of the material we give you the best.

OUR STRENGTH

- Innovative Technology
- Nationwide Sales Network
- Prompt, Pre and Post sales services
- Quality at par with international standards
- Cost Effective Equipments
- Integrated Manufacturing Setup
- In house Research & Development
- Capability to develop special purpose machines

MANUFACTURING SETUP



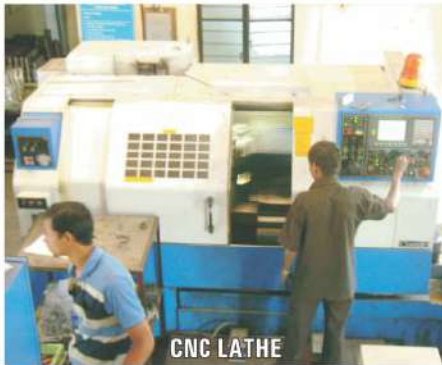
HYDRAULIC SHEAR MACHINE



HYDRAULIC PRESS BRAKE



HYDRAULIC PRESS SHOP



CNC LATHE



VMC



CUTTING SECTION



TURNING SHOP



DRILLING SHOP



MOULDING SHOP



FABRICATION SHOP



PROFILE CUTTING



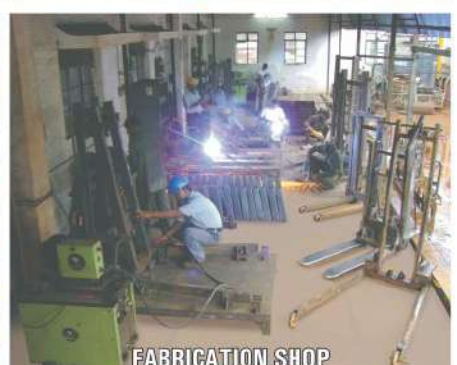
STAINLESS STEEL FABRICATION



POWDER COATING



PACKING SECTION



FABRICATION SHOP

FACTORY SETUP



RAW MATERIAL - SHEET RACK



RAW MATERIAL - FLAT RACK



HARDWARE STORES



SEMI FINISHED MATERIAL



SEMI FINISHED MATERIAL



SEMI FINISHED MATERIAL



CENTRAL STORES - A



ASSEMBLY SHOP



DESPATCH LIFT



CENTRAL STORES - B



MANUFACTURING HALL



GOODS LIFT IN STORES

LIVE DEMONSTRATION



We at Premier Pariwar eagerly await your visit to our Satara Plant, Maharashtra, just 110 kms. from Pune City. We have 5000 sq ft. showroom in company premises where entire range of Material Handling Equipments & Trolleys about 40 equipments and 60 trolleys are kept for live demonstration. Please note that **Tuesday** is weekly off for us.

CONTENTS

HYDRAULIC PALLET TRUCK



Page 10, 11

PAPER ROLL PALLET TRUCK



Page 12

HIGH LIFT PALLET TRUCK



Page 13

HYDRAULIC STACKER



Page 14, 15

SEMI ELECTRIC AC / DC STACKER



Page 16, 17

STRADDLE STACKER



Page 18

COUNTER BALANCED STACKER



Page 19

STACKER WITH INTERCHANGEABLE ACCESSORIES



Page 20

SEMI ELECTRIC ORDER PICKER



Page 21

HYDRAULIC FLOOR CRANE



Page 22

COUNTER BALANCED FLOOR CRANE ROTATING BOOM



Page 23

COUNTER BALANCED FLOOR CRANE FIXED BOOM



Page 24

FLOOR CRANE ROTATING BOOM



Page 24

JIB CRANE



Page 25

GANTRY



Page 26

TRIPOD



Page 27

HYDRAULIC DRUM TILTER



Page 28

COUNTER BALANCED DRUM TILTER



Page 29

HYDRAULIC DRUM LIFTER



Page 30

COUNTER BALANCED DRUM LIFTER



Page 31

DRUM HANDLING EQUIPMENTS LIFT 500 MM



Page 32, 33

DRUM HANDLING EQUIPMENTS



Page 34, 35

DRUM HANDLING FORK LIFT STAND



Page 36

DRUM PALLET SYSTEM & DRUM TONGS



Page 37

CONTENTS

SINGLE SCISSOR LIFT



Page 38

DOUBLE SCISSOR LIFT



Page 39

CUSTOM BUILT SCISSOR LIFT



Page 40, 41,42,43

DOCK LEVELER



Page 44, 45

FOUR CHANNEL GOODS LIFT



Page 46, 47

TWO CHANNEL GOODS LIFT



Page 48, 49

HYDRAULIC LIFTING PLATFORM



Page 50, 51

MEZZANINE FLOOR



Page 52, 53

GRAVITY / BELT CONVEYER



Page 54, 55

ROLLER TRACK



Page 56

BATTERY PLATFORM TRUCK



Page 57

MATERIAL LIFTER & TILTER



Page 58

FURNACE CHARGING SYSTEM



Page 59

RAIL TROLLEY



Page 59

INDUSTRIAL SHELVING HEAVY DUTY



Page 60, 61, 62, 63

INDUSTRIAL SHELVING MEDIUM DUTY



Page 64, 65

PLATFORM TROLLEY



Page 66

TURNTABLE PLATFORM TROLLEY



Page 67

WORKSHOP TROLLEY



Page 68

TURNTABLE WORKSHOP TROLLEY



Page 69

TURNTABLE PLATFORM TRUCK



Page 70,71

TWO SHELF TROLLEY



Page 72

THREE SHELF TROLLEY



Page 73

FIVE SHELF TROLLEY



Page 74

CONTENTS

COMPARTMENT SHELF STAND



Page 75

SACK TROLLEY



Page 76

MULTI UTILITY TROLLEY



Page 77

GAS CYLINDER TROLLEY



Page 78, 79

DRUM TROLLEY



Page 80, 81

SINGLE WHEEL BARROW



Page 82

DOUBLE WHEEL BARROW



Page 83

COOLENT FEEDING TROLLEY



Page 84

CHIP TROLLEY



Page 85

CNC TOOL TROLLEY



Page 86, 87

INDUSTRIAL STEEL PALLETS



Page 88, 89

INDUSTRIAL WORK TABLE



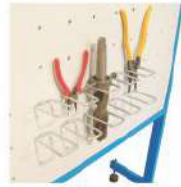
Page 90, 91

INDUSTRIAL TOOL PANNEL



Page 92

TOOL PANNEL ACCESSORIES



Page 93

MOBILE ACCESS STEPS



Page 94

MOBILE ACCESS LADDER



Page 95

MOBILE ACCESS PLATFORM



Page 96

STAND TROLLEY



Page 97

BIN TROLLEY



Page 98, 99

FIFO TROLLEY



Page 100, 101

INDUSTRIAL METAL BINS & CRATES



Page 102

INDUSTRIAL METAL CONTAINERS



Page 103

CUSTOMER LIST



Page 104, 105, 106

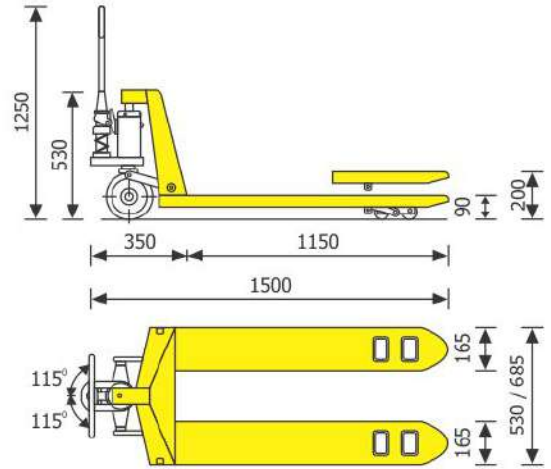
DEALER NETWORK



Page 107

HYDRAULIC PALLET TRUCK

CAPACITY : 2500 Kg.



- Robust in construction with additional ribs on welded joints for better strength.
- Excellent manoeuvrability, Bigger diameter steering wheels, Dia. 200 x 50 mm
- Reliable hydraulic System, Single cartridge valve, CO2 welded pump
- Specially designed rear end of forks at roller slots to prevent weak section at end by providing separate slots for roller with middle portion un cut.
- Additional climber wheels are provided as a standard feature for easy entry of truck under wooden pallets.

MODEL	PT- 25 X 3	PT- 25 X 4	PT- 25 X 3 W	PT- 25 X 4 W
Capacity (Kg)	2500	2500	2500	2500
Fork Length (mm)	1150	1150	1150	1150
Width Over Forks (mm)	530	530	685	685
Minimum Fork Height (mm)	85	85	85	85
Maximum Fork Height (mm)	195	195	195	195
Steering Wheel (Dia x Width mm) Provided Arrangement - 2 Nos.	200 x 50	200 x 50	200 x 50	200 x 50
Rear Roller Wheel (Dia x Width mm) Tandem Arrangement - 4 Nos.	82 x 70	82 x 70	82 x 70	82 x 70
Body & Fork Thickness (mm)	3 mm	4 mm	3 mm	4 mm
Truck Self Weight (@Kg)	70	85	80	95

HYDRAULIC PALLET TRUCK

SPECIAL PURPOSE



Fork Length = 1500 mm
Width = 800 mm



Fork Length = 2400 mm
Width = 685 mm

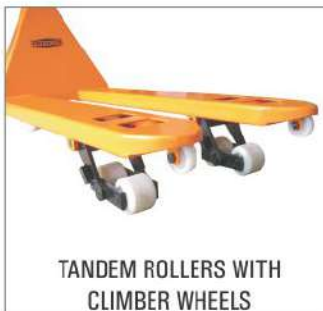


Fork Length = 2400 mm
Width = 1000 mm



Fork Length = 1600 mm
Width = 1000 mm

- All wheels are provided with sealed ball bearings for smooth & effortless movement of pallet truck under heavy loads. (Total 12 ball bearings)
- Pivoted joints are provided with phosphor bronze bushes to avoid wear & tear of pins to give trouble free long life with stability
- Asthetic hand release lever with Neutral, Raised & Release positions disengages the hydraulic pump unit for effortless pulling of pallet truck under load.
- Maintenance free pump unit, strong body, low cost spares with easy availability & prompt service improves overall performance.



TANDEM ROLLERS WITH CLIMBER WHEELS



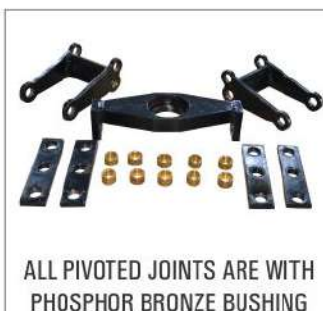
EXCELLENT MANOEUVERABILITY DIA 200 MM STEERING WHEELS



ERGONOMIC HANDLE WITH THREE POSITION LEVER



SPECIALLY DESIGNED FORKS TO AVOID WEAKER SECTION AT END



ALL PIVOTED JOINTS ARE WITH PHOSPHOR BRONZE BUSHING



RELIABLE HYDRAULIC SYSTEM SINGLE CARTRIDGE VALVE



POLYMER WHEELS WITH SEALED BALL BEARINGS



PU WHEELS WITH SEALED BALL BEARINGS

HYDRAULIC PALLET TRUCK
CUSTOM BUILT



Taper Forks Pallet Truck for Reel Handling



FORK LENGTH = 2200 mm
WIDTH = 530 mm



FORK LENGTH = 1800 mm
WIDTH = 530 mm



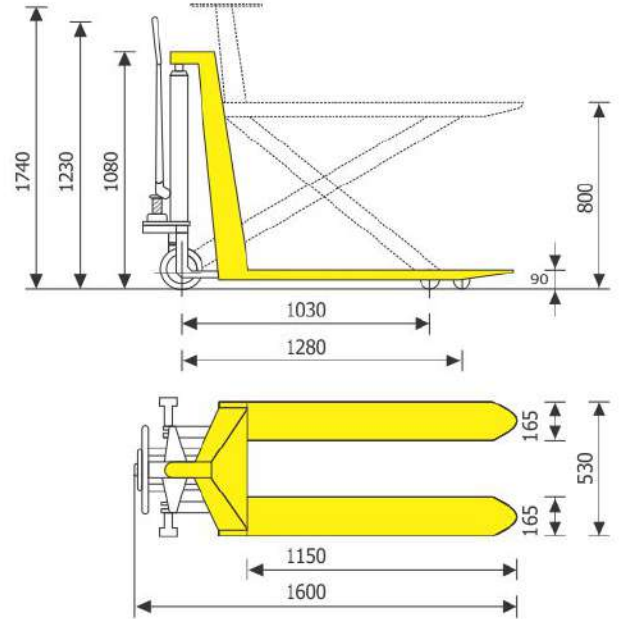
FORK LENGTH = 1150 mm
WIDTH = 1000 mm



PT WITH
PARKING BREAK

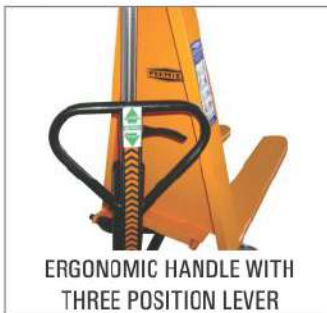
HIGH LIFT SCISSOR PALLET TRUCK

CAPACITY : 1000 kg. Lift Height : 800 mm



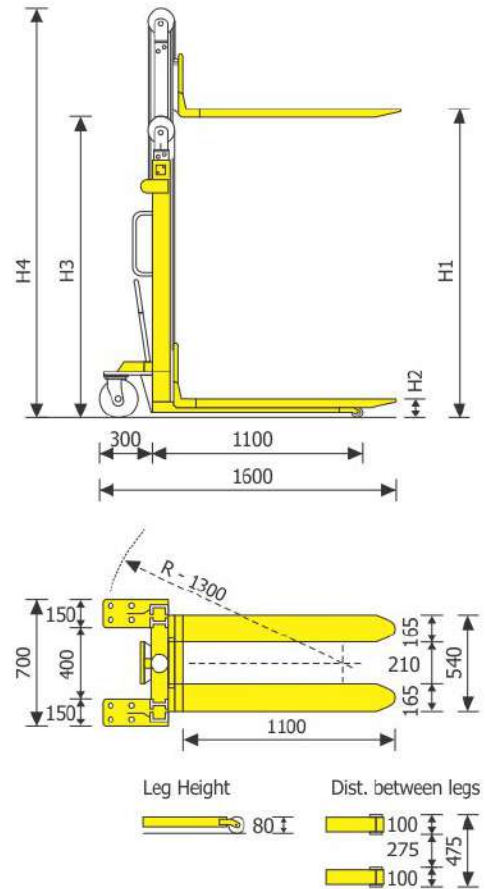
- Lift - 14 mm per stroke
- Weight - 150 Kg
- Fitted with Hard Polymer Wheels with sealed ball bearings
- Steering Wheels - Dia 200 x 50 mm - 2 Nos.
- Rear Rollers - Dia 82 x 90 mm - 2 Nos.
- Swivel Castors - Dia 100 x 50 mm - 2 Nos.

- Single stage cylinder gives uniform lifting capacity & avoids risk of dangerous dropping of 2nd stage cylinder.
- Improved Safety - Automatic activation of self adjusting side stabilizers when forks are lifted above 360 mm to ensure maximum stability when being used as work table. Additional two side swivel castors are fitted for better safety during short turning radius under load.
- Avoids operator's fatigue, back injuries, chances of accidents and increases productivity by allowing the operator to position the pallet at any desired working heights.
- Rear rollers are diameter 82 x 90 mm long instead of traditional 70 mm length. This increased roller length increases ground contact about 30% and increases stability.



HYDRAULIC STACKER

CAPACITY : 500 kg. Lift : 1500, 2500 & 3000 mm



- Load capacity - Uniformly distributed load over forks on maximum 1x1 mtr. pallet
- Load capacity of stacker gradually reduces by 30% as height increases i.e. maximum load capacity of 500 Kg stacker is @ 350 Kg at maximum height

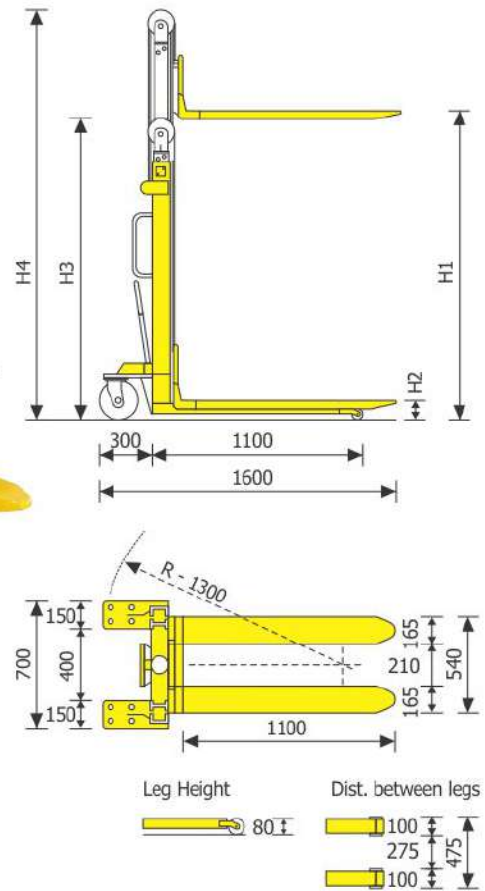
APPLICATIONS

- Used in press shops for loading & unloading of heavy die punches.
- Used in plastic and rubber industries for loading and unloading of moulds.
- Used in stores for stacking of materials, trays, boxes etc.
- Used in transport godowns, warehouses for material loading in trucks.
- Used in engineering industries for handling of heavy jobs, plates on various machines like CNC, VMC, Lathe, Milling, Shaping machine etc.

MODEL	ST 05 15 F	ST 05 15 T	ST 05 25 T	ST 05 30 T
Lifting capacity (kg)	500	500	500	500
Max. fork height H1 (mm)	1500	1500	2500	3000
Min. fork height H2 (mm)	100	100	100	100
Load center (mm)	600	600	600	600
Lift per stroke (mm)	20	20	20	20
Min turning radius (mm)	1300	1300	1300	1300
Fork length (mm)	1100	1100	1100	1100
Width over forks (mm)	540	540	540	540
Min. overall height H3 (mm)	2200	1600	2100	2400
Max. overall height H4 (mm)	2200	2300	3300	3900

HYDRAULIC STACKER

CAPACITY : 1000 Kg., Lift : 1500, 2500 & 3000 mm



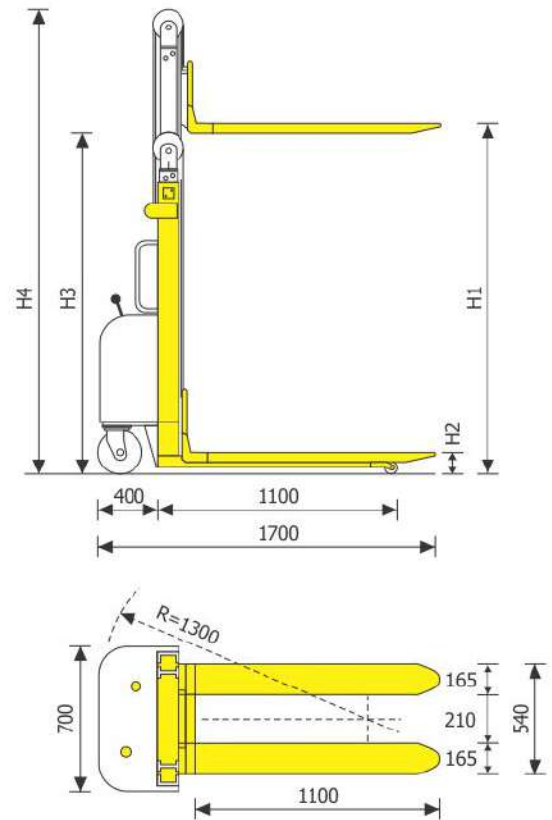
APPLICATIONS

- Used in press shops for loading & unloading of heavy die punches.
- Used in plastic and rubber industries for loading and unloading of moulds.
- Used in stores for stacking of materials, trays, boxes etc.
- Used in transport godowns, warehouses for material loading in trucks.
- Used in engineering industries for handling of heavy jobs, plates on various machines like CNC, VMC, Lathe, Milling, Shaping machine etc.
- Load capacity - Uniformly distributed load over forks on maximum 1x1 mtr. pallet
- Load capacity of stacker gradually reduces by 30% as height increases i.e. maximum load capacity of 1000 Kg stacker is @ 700 Kg at maximum height

MODEL	ST 10 15 F	ST 10 15 T	ST 10 25 T	ST 10 30 T
Lifting capacity (kg)	1000	1000	1000	1000
Max. fork height H1 (mm)	1500	1500	2500	3000
Min. fork height H2 (mm)	100	100	100	100
Load center (mm)	600	600	600	600
Lift per stroke (mm)	20	20	20	20
Min turning radius (mm)	1300	1300	1300	1300
Fork length (mm)	1100	1100	1100	1100
Width over forks (mm)	540	540	540	540
Min. overall height H3 (mm)	2200	1600	2100	2400
Max. overall height H4 (mm)	2200	2300	3300	3900

SEMI ELECTRIC STACKER, 440 V 3 PHASE, AC SUPPLY

CAPACITY : 500 & 1000 kg. Lift : 1500, 2500 & 3000 mm

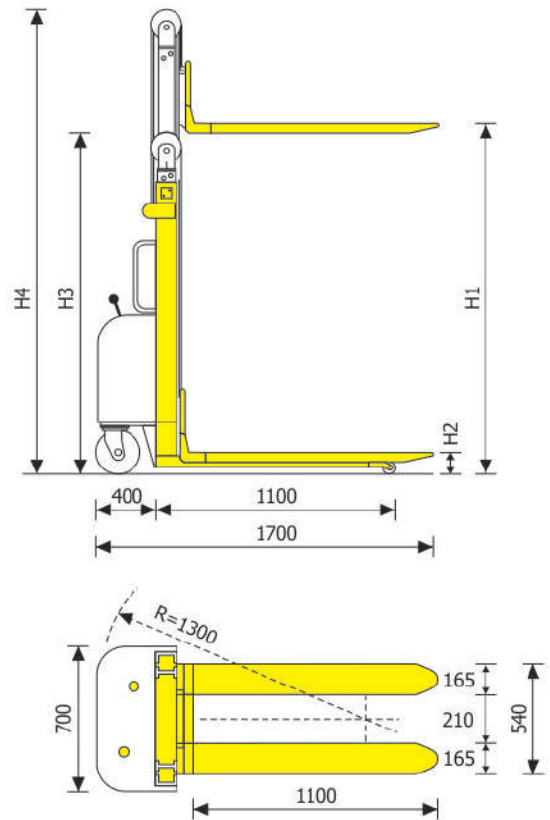
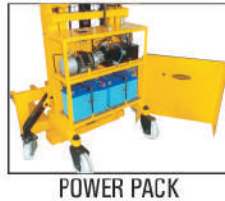


- Load Capacity - uniformly distributed load over forks on maximum 1 x 1mtr pallet.
- Load Capacity of stacker gradually reduces by 30% as height increases i.e. maximum capacity of 500 Kg stacker is @ 350 Kg at maximum height and maximum capacity of 1000 Kg stacker is 700 Kg. at maximum height.
- UP movement with Push button operated A.C. power Pack and Down movement with precised controlled needle valve. Pushing & pulling manual. Requires @ 40 to 60 second for full lift without manual efforts.
- A.C. Power Pack with 2 HP, 3 Phase electric motor copled with hydraulic pump, Control valve, NRV, Needle Valve, Oil Tank with oil, Electrical circuit is provided with MPCB, Contactor, Push Button, Height limit switch, 3 Pin plug with 3 mtr wire.
- "Premier" make flame proof semi electric AC stacker 440 V, 3 Phase AC Supply is also available.

MODEL	ST 05 15 SE AC	ST 05 25 SE AC	ST 05 30 SE AC	ST 10 15 SE AC	ST 10 25 SE AC	ST 10 30 SE AC
Lifting capacity (kg)	500	500	500	1000	1000	1000
Max. fork height H1 (mm)	1500	2500	3000	1500	2500	3000
Min. fork height H2 (mm)	100	100	100	100	100	100
Load center (mm)	600	600	600	600	600	600
Lift per stroke (mm)	20	20	20	20	20	20
Min turning radius (mm)	1300	1300	1300	1300	1300	1300
Fork length (mm)	1100	1100	1100	1100	1100	1100
Width over forks (mm)	540	540	540	540	540	540
Min. overall height H3 (mm)	1600	2100	2400	1600	2100	2400
Max. overall height H4 (mm)	2300	3300	3900	2300	3300	3900

SEMI ELECTRIC STACKER 24 V BATTERY, DC SUPPLY

CAPACITY : 500 & 1000 kg. Lift : 1500, 2500 & 3000 mm

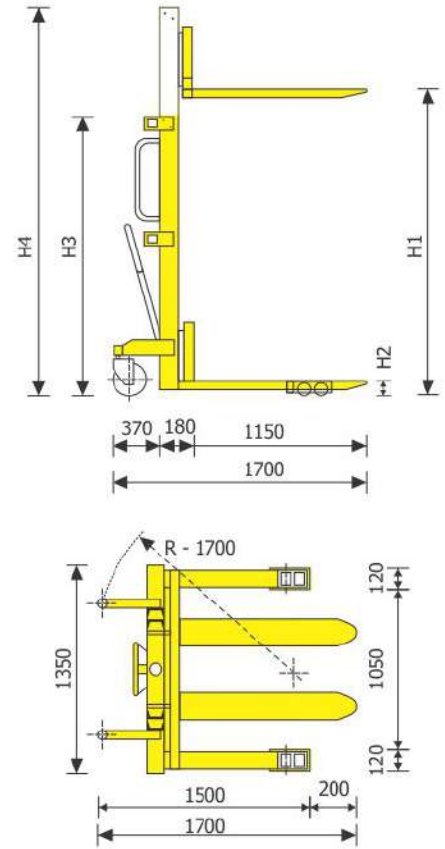


- Load Capacity - uniformly distributed load over forks on maximum 1 x 1mtr pallet.
- Load Capacity of stacker gradually reduces by 30% as height increases i.e. maximum load capacity of 500 Kg stacker is @ 350 Kg at maximum height and maximum load capacity of 1000 Kg stacker is @ 700 Kg at maximum height
- UP movement with Push button operated D.C. Power Pack and Down movement with precised controlled needle valve. Pushing & pulling manual.
- Battery 24 Volts, 85 AMP Hr. Tubular monoblock battery
- D.C. Power Pack with 3 HP, 24 V DC electric motor coupled with hydraulic pump, Control valve, NRV, Needle Valve, Oil Tank with oil, Electrical circuit is provided with key switch, 24 V DC heavy duty contactor, push button, heigh limit switch, battery level indicator & heavy duty charging socket for charger.
- A Separate battery charger is needed to recharge the batteries.

MODEL	ST 05 15 SE DC	ST 05 25 SE DC	ST 05 30 SE DC	ST 10 15 SE DC	ST 10 25 SE DC	ST 10 30 SE DC
Lifting capacity (kg)	500	500	500	1000	1000	1000
Max. fork height H1 (mm)	1500	2500	3000	1500	2500	3000
Min. fork height H2 (mm)	100	100	100	100	100	100
Load center (mm)	600	600	600	600	600	600
Lift per stroke (mm)	20	20	20	20	20	20
Min turning radius (mm)	1300	1300	1300	1300	1300	1300
Fork length (mm)	1100	1100	1100	1100	1100	1100
Width over forks (mm)	540	540	540	540	540	540
Min. overall height H3 (mm)	1600	2100	2400	1600	2100	2400
Max. overall height H4 (mm)	2300	3300	3900	2300	3300	3900

STRADDLE STACKER WITH ADJUSTABLE FORKS

CAPACITY : 500 & 1000 kg. Lift : 1500, 2500 & 3000 mm



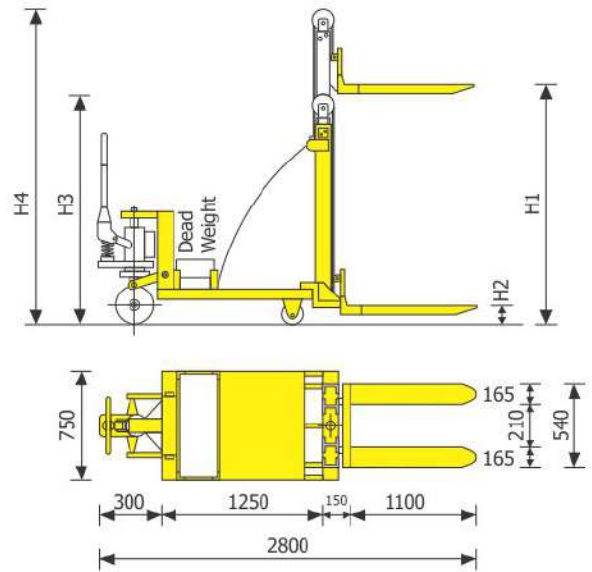
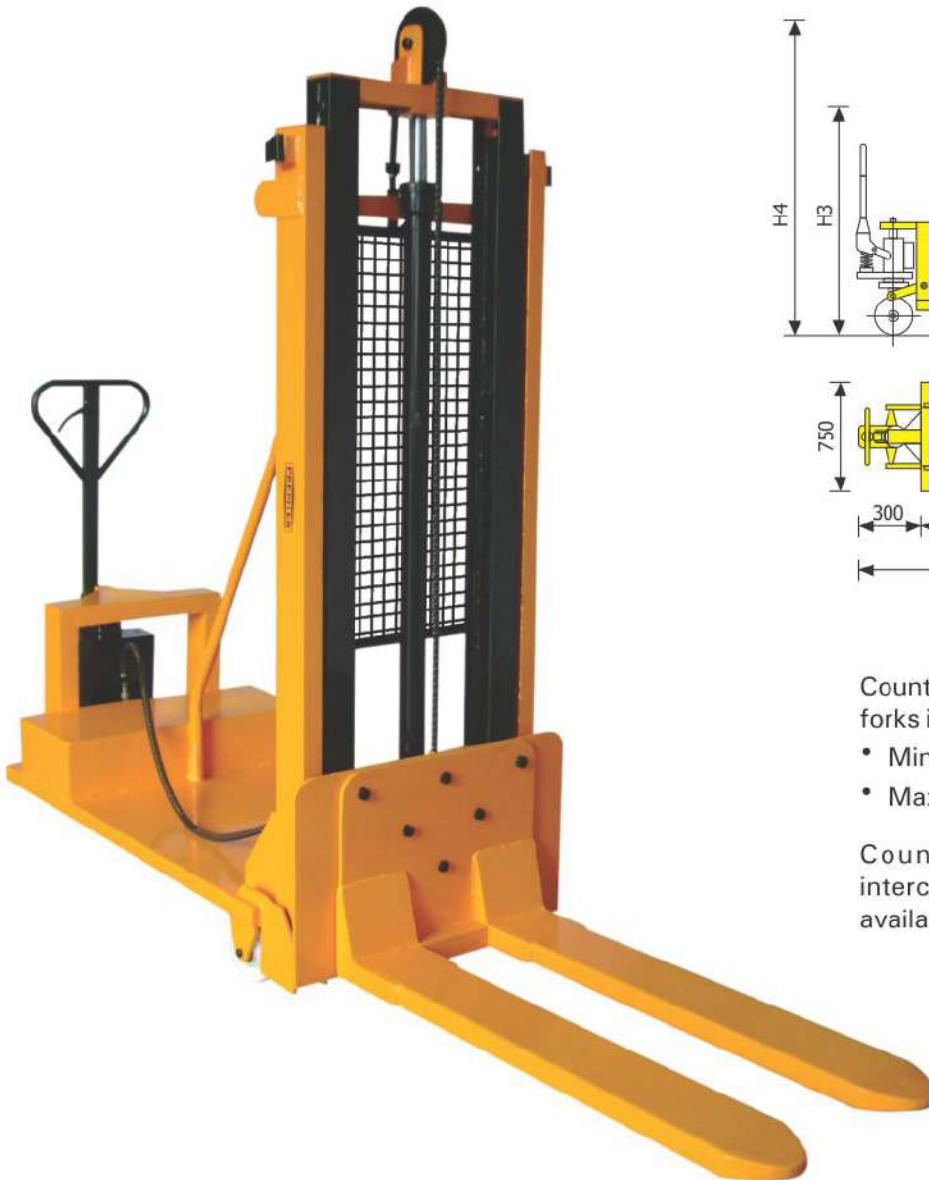
All models are available in hand operated type, Electrically battery operated type, Electrically 440 V AC power operated type and flame proof type.

- Adjustable Forks
- Minimum Distance over Forks - 350 mm
- Maximum Distance over Forks - 800 mm
- Fork width - 165 mm
- Clear Distance between legs - 1050 mm

MODEL	ST 05 15 SL	ST 05 25 SL	ST 05 30 SL	ST 10 15 SL	ST 10 25 SL	ST 10 30 SL
Lifting capacity (kg)	500	500	500	1000	1000	1000
Max. fork height H1 (mm)	1500	2500	3000	1500	2500	3000
Min. fork height H2 (mm)	100	100	100	100	100	100
Load center (mm)	600	600	600	600	600	600
Lift per stroke (mm)	20	20	20	20	20	20
Min turning radius (mm)	1700	1700	1700	1700	1700	1700
Fork length (mm)	1150	1150	1150	1150	1150	1150
Width over forks (mm)	Adj.	Adj.	Adj.	Adj.	Adj.	Adj.
Min. overall height H3 (mm)	1700	2200	2500	1700	2200	2500
Max. overall height H4 (mm)	2400	3400	4000	2400	3400	4000

COUNTER BALANCED STACKER

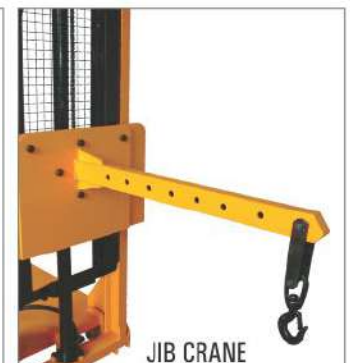
CAPACITY : 500 kg. LIFT : 1500, 2500 & 3000 mm



Counter balanced stacker with adjustable forks is also available.

- Min. Distance over forks - 350 mm
- Max. Distance over forks - 800 mm

Counter balanced stacker with interchangeable accessories is also available.



ALL MODELS ARE AVAILABLE IN HAND OPERATED TYPE, ELECTRICALLY BATTERY OPERATED TYPE, ELECTRICALLY 440V AC POWER OPERATED TYPE & FLAME PROOF TYPE.

MODEL	ST 05 15 CB	ST 05 25 CB	ST 05 30 CB
Lifting capacity (kg)	500	500	500
Max. fork height H1 (mm)	1500	2500	3000

ALL OTHER SPECIFICATIONS SIMILAR TO REGULAR STACKER.

STACKER WITH INTERCHANGEABLE ACCESSORIES

CAPACITY : 500 & 1000 kg. LIFT : 1500, 2500 & 3000 mm



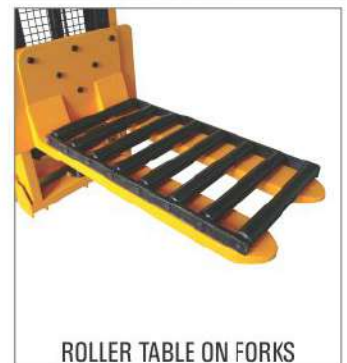
- Provides a practical and most economical way of solving regular lifting problems.
- Highly versatile stacker design to suit various interchangeable accessories for maximum flexibility of use.
- Attachments are fitted on sliding frame with nut and bolts and requires small time to change.



FORKS



PLATE ON FORKS



ROLLER TABLE ON FORKS



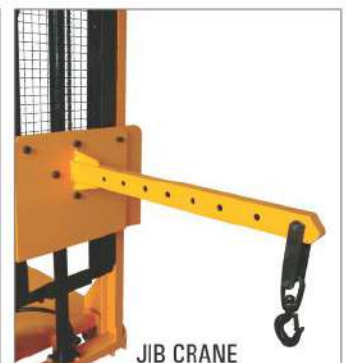
TABLE



SAFETY CAGE ON FORKS



BOOM



JIB CRANE



DRUM TONGS VERTICAL



DRUM TONGS HORIZONTAL



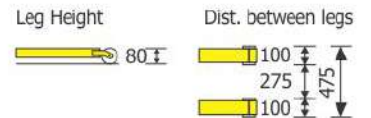
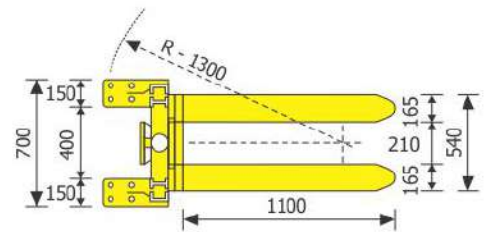
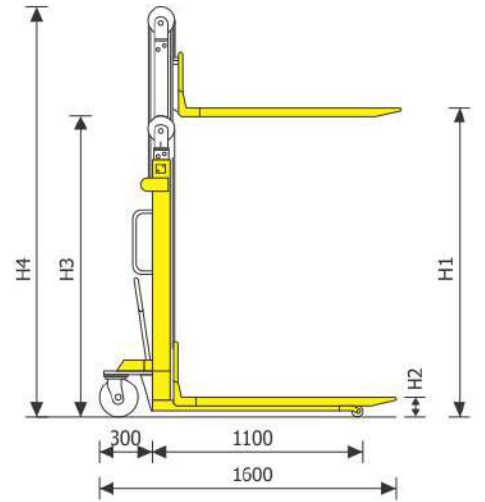
DRUM GRIPPER



DRUM TILTER

SEMI ELECTRIC ORDER PICKER

CAPACITY : 300 kg. Including Operator, LIFT : 2500, 3000, 4000 mm

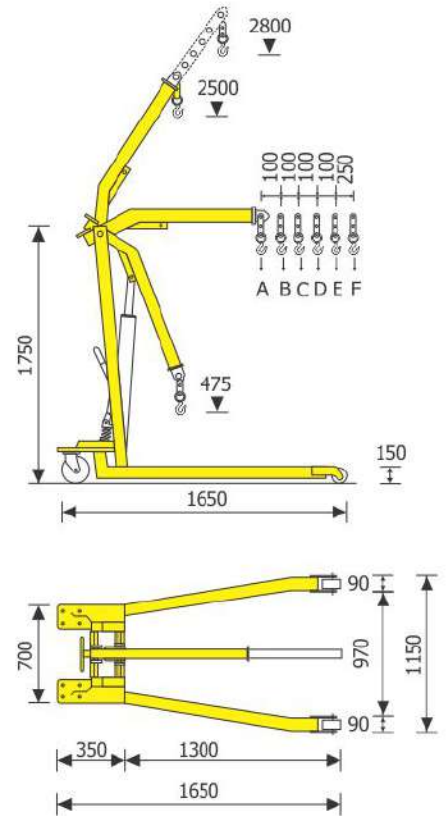


- Reduces strain & fatigue, increases safety & productivity in continuous picking application such as stores etc.
- Up & down control push buttons are in cage for adjustment of cage to any desired heights.
- Extra side stabilizers are provided for additional safety.
- Cage size is 800 x 800 mm with 750 mm side railing & 1200 mm back net for safety.

AVAILABLE IN BATTERY OPERATED 24 V DC SUPPLY AS WELL AS IN 440 V, 3 PHASE AC POWER SUPPLY

HYDRAULIC FLOOR CRANE

CAPACITY : 1000 kg. Lift : 2500 mm



MODEL - FC 1025	
LIFTING HEIGHT 2500 MM	
LIFTING CAPACITY (KG) AT	
A 1000	D 700
B 900	E 600
C 800	F 500

FEATURES

- Robustly constructed from tube section for heavy loads and durability.
- Extended boom with 5 hook positions allows right position for every job.
- Heavy duty swivel hook fitted with spring loaded safety latch.

ALL MODELS ARE AVAILABLE IN HAND OPERATED, BATTERY OPERATED, ELECTRICALLY AC OPERATED & FLAME PROOF TYPE



GENERAL MAINTENANCE



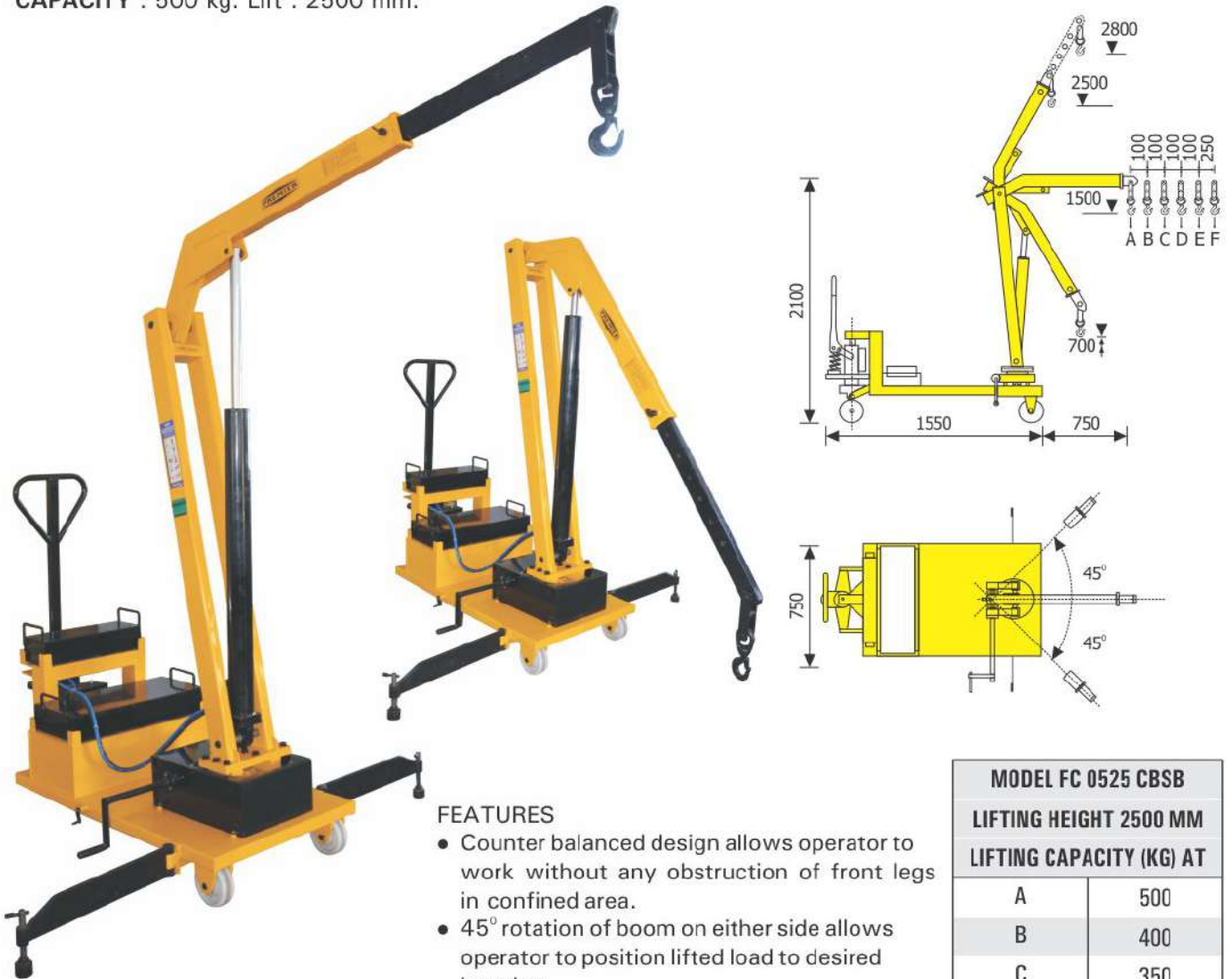
JOB LOADING ON MACHINE



DIE PUNCH MAINTENANCE

HYDRAULIC FLOOR CRANE COUNTER BALANCED TYPE WITH ROTATING SWIVELING BOOM

CAPACITY : 500 kg. Lift : 2500 mm.



FEATURES

- Counter balanced design allows operator to work without any obstruction of front legs in confined area.
- 45° rotation of boom on either side allows operator to position lifted load to desired location.
- Rotation is with heavy duty worm gear box with heavy turntable assembly fitted with ball bearings and thrust bearing for easy rotation under heavy load.

ALL MODELS ARE AVAILABLE IN HAND OPERATED, BATTERY OPERATED, ELECTRICALLY AC OPERATED & FLAME PROOF TYPE

MODEL FC 0525 CBSB	
LIFTING HEIGHT 2500 MM	
LIFTING CAPACITY (KG) AT	
A	500
B	400
C	350
D	300
E	250
F	200



LOADING MOULDS IN INJECTION MOULDING MACHINE



MATERIAL LOADING IN TRUCK



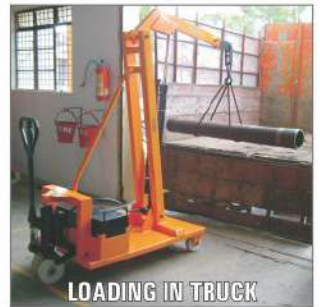
SUPPORT APPLICATION DURING HEAVEY WORK

**HYDRAULIC FLOOR CRANE
COUNTER BALANCED TYPE WITH FIXED BOOM**

Capacity : 500 kg. Lift : 2500 mm.



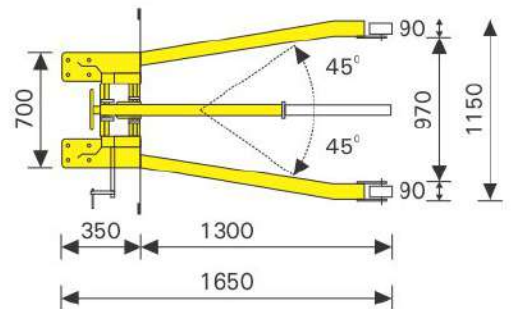
MODEL FC 0525 CB FB	
LIFTING HEIGHT 2500 MM	
LIFTING CAPACITY (KG) AT	
A	500
B	400
C	350
D	300
E	250
F	200



LOADING IN TRUCK

HYDRAULIC FLOOR CRANE WITH SWIVELING ROTATING BOOM

Capacity : 500 kg. Lift : 2500 mm



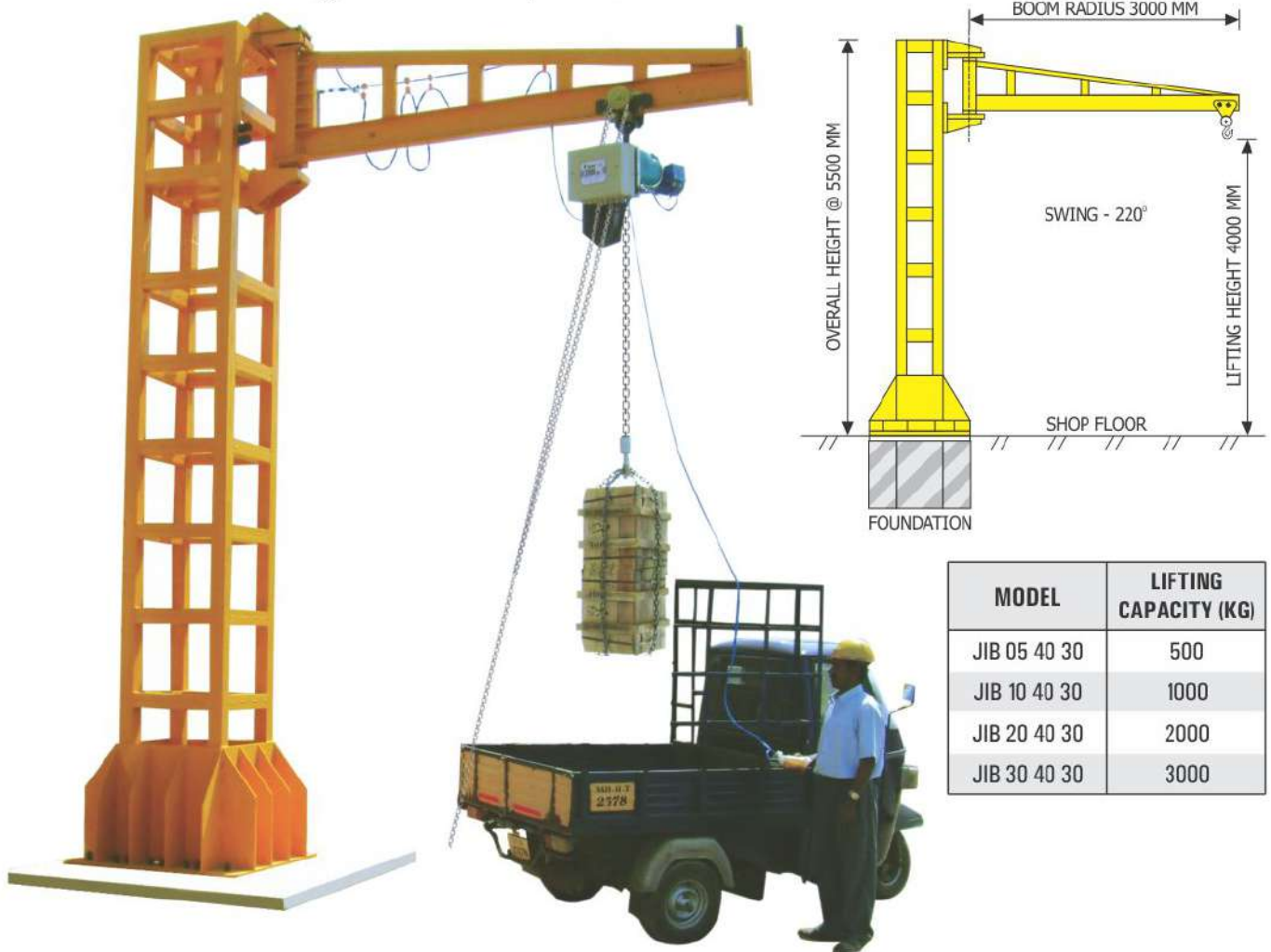
ALL MODELS ARE AVAILABLE IN HAND OPERATED, BATTERY OPERATED, ELECTRICALLY AC OPERATED & FLAME PROOF TYPE



MODEL - FC 0525 SB	
LIFTING HEIGHT 2500 MM	
LIFTING CAPACITY (KG) AT	
A 500	D 300
B 400	E 250
C 350	F 200

JIB CRANE
BASE MOUNTED, SELF SUPPORTED, COLUMN STRUCTURE

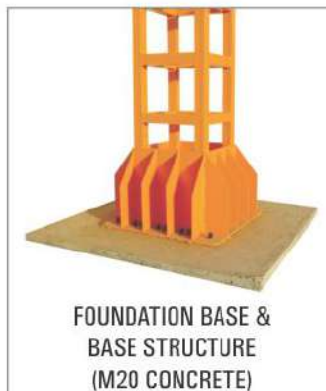
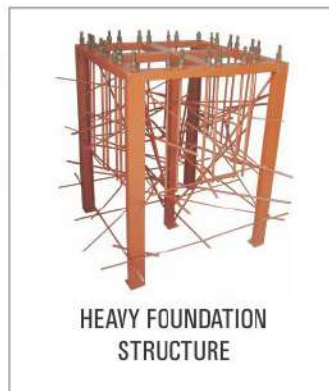
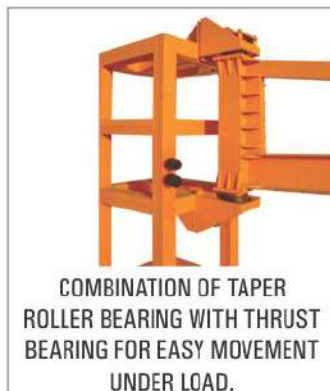
CAPACITY : 500 to 3000 kg., Lift : 4000 mm, JIB Radius : 3000 mm



MODEL	LIFTING CAPACITY (KG)
JIB 05 40 30	500
JIB 10 40 30	1000
JIB 20 40 30	2000
JIB 30 40 30	3000

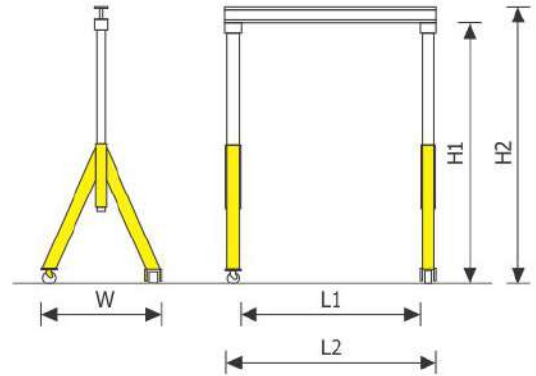
STAR FEATURES

- "Premier" Heavy Duty Jib Cranes are base mounted, self supported jib cranes with thick base plate mounting on a concrete foundation with 220° rotation of jib arm.
- These types of cranes are widely used in Fabrication Shops, Machine Shops, Assembly Shops. loading & unloading purposes and can be used both indoor as well as outdoor applications.
- A set of taper roller bearing in combination with thrust bearing, one set at bottom and one set at top take care of horizontal and vertical load as well as radial thrust.
- Jib cranes are available with hand operated or electrically operated chain pulley block for vertical lifting and chain operated or electrically operated gear trolley for horizontal movement of load.
- Special polyurethane shock absorber / buffers are provided at extreme ends as a standard feature.



GANTRIES

CAPACITY : 500 to 2000 Kg.



SAFETY NOTE

Mobile Gantries are designed for positioning over the load prior to lifting. They should not be used for transporting the lifted load.

STAR FEATURES

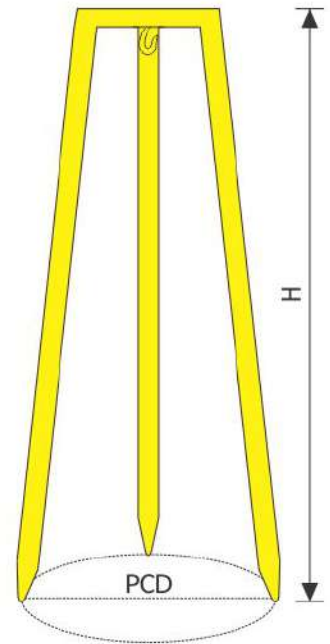
- Ideal for indoor lifting and support application.
- Fixed models have pre drilled steel base plates for easy fixing in foundation base.
- Mobile models are fitted with two fixed and two swivel castors with break for total stability once positioned.

MODEL	GAN 053024	GAN 103527	GAN 204030
Lifting capacity (kg)	500	1000	2000
Lifting Height H1 (mm)	3000	3500	4000
Overall height H2 (mm)	3150	3650	4200
Clear inside length L1 (mm)	2400	2700	3000
Overall length L2 (mm)	2700	3000	3400
Overall width W (mm)	1500	1800	2100



LIFTING TRIPOD

CAPACITY : 500 TO 2000 kg.



LIFTING TRIPOD

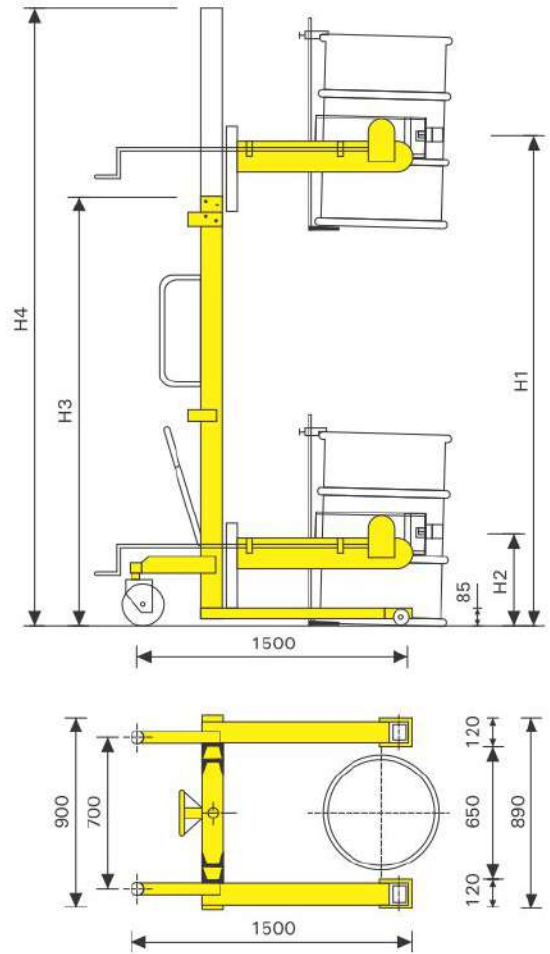
- A rigid & sturdy tripod, designed for lifting items from below ground level, such as pumps etc. from man holes.
- Simple to erect and comes complete with a shackle for easy suspension of a chain pulley block.

MODEL	TRI 053021	TRI 103524	TRI 204027
Lifting capacity (kg)	500	1000	2000
Overall height H (mm)	3000	3500	4000
Pitch circle diameter PCD (mm)	2100	2400	2700



HYDRAULIC DRUM LIFTER & TILTER

CAPACITY : 300 kg. Lift : 500, 1500, 2500 & 3000 mm



IMPORTANT INFORMATION

- Single man operated equipment for vertical lifting, horizontal transportation & 360° rotation of drum.
- Tilting is with worm & worm gear, providing positive self locking at every position of tilt.
- Long hand lever for tilting provides effortless rotation of fully loaded drum without operator's fatigue.
- The chances of accidents due to improper handling of drums are totally avoided.
- The damages & wastage of contents are totally avoided.
- Scientifically designed with in built high quality & safety.

APPLICATIONS

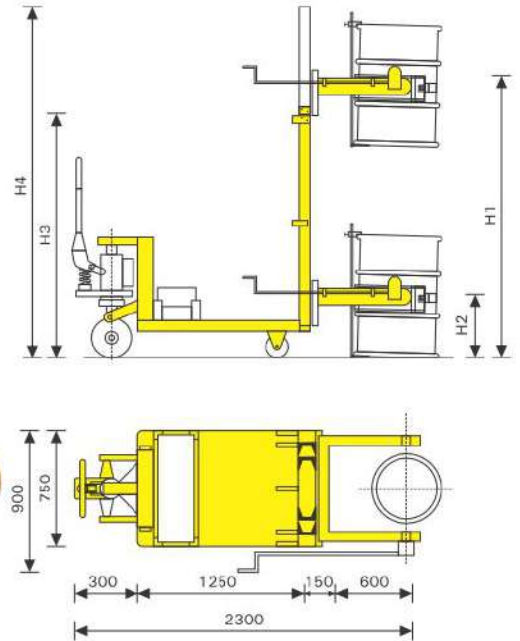
- Widely used for pouring oil, liquid, chemicals from one drum to other drum, in machine hopper, in reaction vessel, in plastic injection m/c hopper, in sand moulding m/c hopper etc.
- Largely used in chemical industries to handle hazardous chemicals.
- Extensively used in paint & dye industries during mixing processes.
- Widely used in plastic industries to pour plastic powders, pigments, granules in injection moulding m/c hopper.

MODEL	DT 0305	DT 0315	DT 0325	DT 0330
Lifting capacity (kg)	300	300	300	300
Max. drum height H1 (mm)	500	1500	2500	3000
Min. drum height H2 (mm)	400	400	400	400
Load center (mm)	600	600	600	600
Lift per stroke (mm)	20	20	20	20
Min turning radius (mm)	1600	1600	1600	1600
Min. overall height H3 (mm)	1200	1700	2200	2500
Max. overall height H4 (mm)	1200	2400	3400	4000

ALL MODELS ARE AVAILABLE WITH MANUAL PUMPING FOR LIFTING & MANUAL TILTING, SEMI ELECTRIC LIFTING & TILTING, BOTH BATTERY OPERATED 24V DC SUPPLY & 440V 3 PHASE AC SUPPLY & FLAME PROOF TYPE.

COUNTER BALANCED HYDRAULIC DRUM LIFTER & TILTER

CAPACITY : 300 kg., Lift : 500, 1500, 2500 & 3000 mm

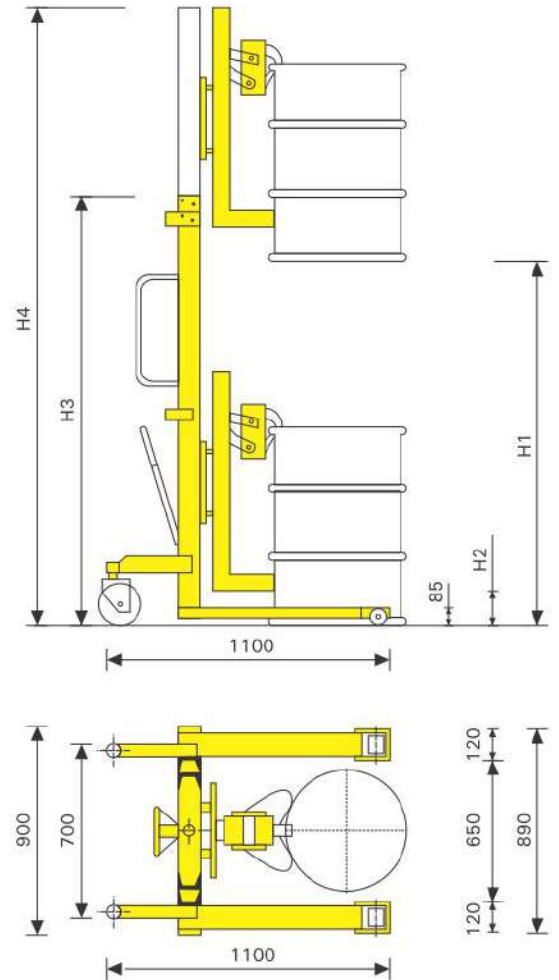


MODEL	DT 0305 CB	DT 0315 CB	DT 0325 CB	DT 0330 CB
Lifting capacity (kg)	300	300	300	300
Max. drum height H1 (mm)	500	1500	2500	3000



HYDRAULIC DRUM LIFTER WITH GRIPPER

CAPACITY : 300 kg. Lift : 500, 1500, 2500 & 3000 mm



IMPORTANT INFORMATION

- Single man operated drum transportation equipment.
- Auto Gripper clamps the drum automatically without human touch to drum as well as declamps the drum automatically when released without human touch to drum.
- Safe handling of hazardous chemicals as human touch to drum is avoided.
- The damages & wastage of contents are totally avoided.

APPLICATIONS

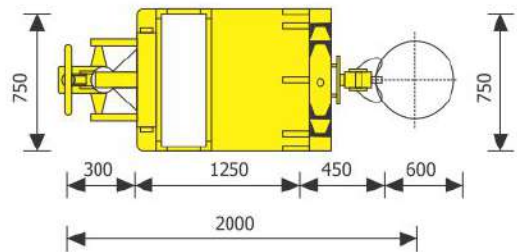
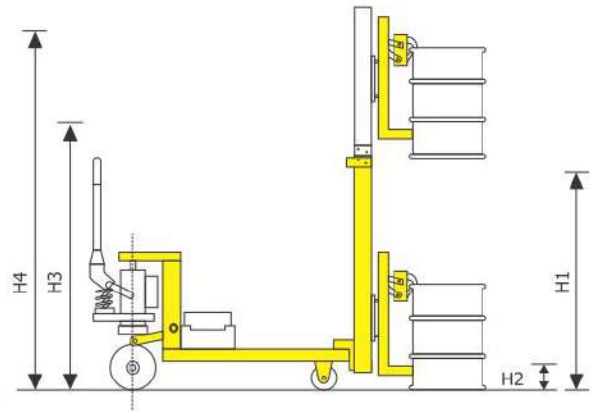
- Used for loading & unloading of drums from truck in industries.
- Used for storing drum above other drum.
- Used for storing drums in rack.
- Widely used for weighting of drums on weighing scale.
- Used for general transportation of drums.
- Used for loading of drums on pallets.
- Largely used in chemical industries to handle hazardous chemicals

MODEL	DL 0305	DL 0315	DL 0325	DL 0330
Lifting capacity (kg)	300	300	300	300
Max. drum height H1 (mm)	500	1500	2500	3000
Min. drum height H2 (mm)	100	100	100	100
Load center (mm)	400	400	400	400
Lift per stroke (mm)	20	20	20	20
Min turning radius (mm)	800	800	800	800
Min. overall height H3 (mm)	1200	1700	2200	2500
Max. overall height H4 (mm)	1200	2400	3400	4000

ALL MODELS ARE AVAILABLE WITH MANUAL PUMPING FOR LIFTING & MANUAL TILTING, SEMI ELECTRIC LIFTING & TILTING, BOTH BATTERY OPERATED 24V DC SUPPLY & 440V 3 PHASE AC SUPPLY & FLAME PROOF TYPE.

COUNTER BALANCED HYDRAULIC DRUM LIFTER WITH GRIPPER

CAPACITY : 300 kg., Lift : 500, 1500, 2500 & 3000 mm



MODEL	DL 0305 CB	DL 0315 CB	DL 0325 CB	DL 0330 CB
Lifting capacity (kg)	300	300	300	300
Max. drum height H1 (mm)	500	1500	2500	3000



DRUM HANDLING EQUIPMENTS

CAPACITY : 300 kg. Lift : 500 mm

HYDRAULIC DRUM TILTER WITH PLASTIC DRUM



HYDRAULIC DRUM TILTER WITH METAL DRUM



HYDRAULIC DRUM LIFTER WITH GRIPPER



HYDRAULIC DRUM LIFTER WITH DRUM BELT VERTICAL



HYDRAULIC DRUM LIFTER WITH DRUM BELT VERTICAL



HYDRAULIC DRUM LIFTER WITH VERTICAL DRUM TONGS



HYDRAULIC DRUM LIFTER WITH DRUM POSITIONER HORIZONTAL



HYDRAULIC DRUM LIFTER WITH DRUM POSITIONER HORIZONTAL



HYDRAULIC DRUM LIFTER WITH HORIZONTAL DRUM TONGS



DRUM HANDLING EQUIPMENTS

CAPACITY : 300 kg. LIFT : 500 mm

<p>COUNTER BALANCED HYDRAULIC DRUM TILTER</p>	<p>COUNTER BALANCED HYDRAULIC DRUM TILTER</p>	<p>COUNTER BALANCED HYDRAULIC DRUM LIFTER WITH GRIPPER</p>
		
<p>COUNTER BALANCED HYDRAULIC DRUM LIFTER WITH VERTICAL DRUM TONGS</p>	<p>COUNTER BALANCED HYDRAULIC DRUM LIFTER WITH HORIZONTAL DRUM TONGS</p>	<p>COUNTER BALANCED HYDRAULIC DRUM LIFTER WITH GRIPPER</p>
		
<p>COUNTER BALANCED HYDRAULIC DRUM LIFTER WITH DRUM BELT VERTICAL</p>	<p>COUNTER BALANCED HYDRAULIC DRUM LIFTER WITH DRUM BELT VERTICAL</p>	<p>COUNTER BALANCED HYDRAULIC DRUM LIFTER WITH DRUM POSITIONER HORIZONTAL</p>
		

HYDRAULIC DRUM LIFTER WITH VERTICAL DRUM TONGS

CAPACITY : 300 kg. LIFT : 500, 1500, 2500 & 3000 mm



COUNTER BALANCED TYPE

HYDRAULIC DRUM LIFTER WITH HORIZONTAL DRUM TONGS

CAPACITY : 300 kg. LIFT : 500, 1500, 2500 & 3000 mm



COUNTER BALANCED TYPE

HYDRAULIC DRUM LIFTER WITH BELT VERTICAL

CAPACITY : 300 kg. LIFT : 500, 1500, 2500 & 3000 mm



COUNTER BALANCED TYPE

HYDRAULIC DRUM LIFTER WITH DRUM POSITIONER HORIZONTAL

CAPACITY : 300 kg. LIFT : 500, 1500, 2500 & 3000 mm



COUNTER BALANCED TYPE

DRUM HANDLING ATTACHMENTS FOR FORK LIFT TRUCK



- Insert fork lift forks in stand pockets and tighten hand screws
- Stand pocket inside dimensions 155 X 55 X 800 mm long
- Safe, simple, economical, & efficient way of drum handling, lifting, transportation, tilting & storage

DRUM GRIPPER STAND FOR SINGLE DRUM



DRUM GRIPPER STAND FOR TWO DRUM



DRUM TONG STAND VERTICAL



DRUM BELT STAND VERTICAL



DRUM TONG STAND HORIZONTAL



DRUM TILTER STAND



DRUM POSITIONER STAND HORIZONTAL



DRUM PALLET SYSTEM

CAPACITY : 600 Kg. / Pallet



- A tough, rugged stacking pallet system for 200 Ltr. drums.
- Designed for 2 drums horizontally placed over pallet & can stack maximum 3 unit
- Stacking of pallets with drums is by stacker or forklift
- Placing & removing single drum in pallet is by drum stacker with horizontal positioner attachment
- Overall size - L 1450 X W 650 X H 800mm
- Ground clearance - 120 mm
- Fabricated from M.S. sq. tube 50X50X2.6 mm & angle 50X50X3 mm



DRUM TONGS

CAPACITY : 300 Kg.

- Drum tongs are designed for lifting 210 Lit. drum with overhead hoist, crane hook by forklift or stacker.
- Allows quick, gentel & safe handling of drums.



Vertical Drum Tongs



Horizontal Drum Tongs

HYDRAULIC PALLET TRUCK



HYDRAULIC STACKER



GRAVITY ROLLER CONVEYOR



HYDRAULIC SCISSOR LIFT

CAPACITY : 500 & 1000 Kg.

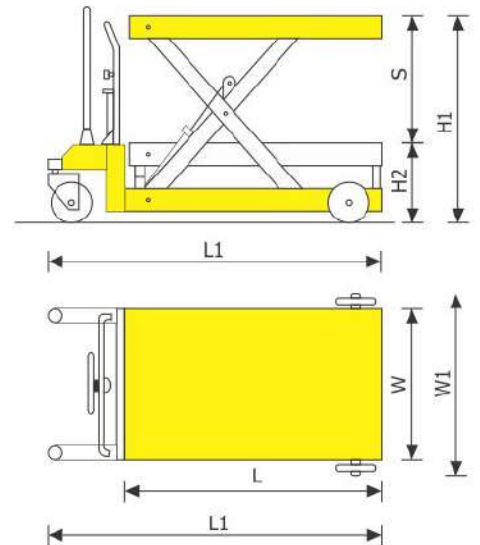


**SINGLE SCISSOR LIFT
MOBILE ON WHEEL**

- Robust Steel welded construction
- Reliable hydraulic system
- Ensures a comfortable working heights for user
- Increases efficiency & reduces fatigue and back pain of operator
- Fully guided in heavy duty channels with thick heavy arms.
- All rollers, pivoting points with phosphor bronze / brass bushing for long life.

SCISSOR LIFTS ARE AVAILABLE IN HAND OPERATED, BATTERY OPERATED, ELECTRICALLY AC OPERATED & FLAME PROOF TYPE

WE MANUFACTURE SCISSOR LIFTS AS PER CUSTOMER'S REQUIREMENT.



MODEL	TABLE SIZE L x W (MM)	LOAD CAPACITY (KG)	TABLE HEIGHT MIN. / MAX. (MM)		LIFT S (MM)	OVERALL SIZE L1 x W1 (MM)
SC 0508 S	1000 x 500	500	300	800	500	1500 x 650
SC 0509 S	1250 x 600	500	300	900	600	1750 x 750
SC 0511 S	1500 x 700	500	300	1100	800	2000 x 850
SC 0513 S	2000 x 800	500	300	1300	1000	2500 x 950
SC 1009 S	1000 x 500	1000	400	900	500	1500 x 650
SC 1010 S	1250 x 600	1000	400	1000	600	1750 x 750
SC 1012 S	1500 x 700	1000	400	1200	800	2000 x 850
SC 1014 S	2000 x 800	1000	400	1400	1000	2500 x 950

HYDRAULIC SCISSOR LIFT

CAPACITY : 500 & 1000 Kg.

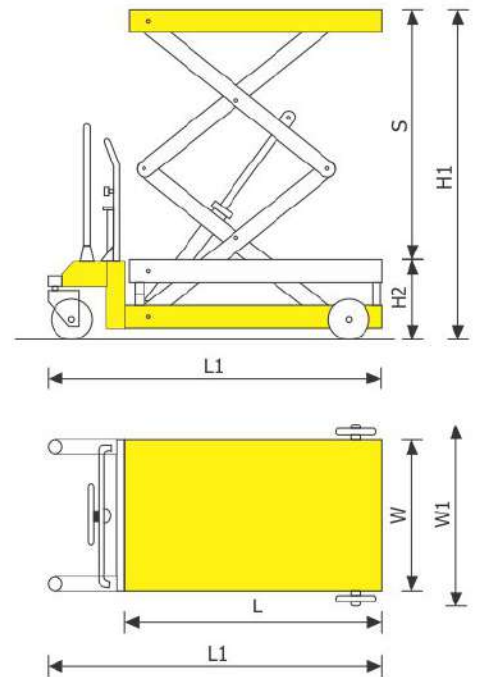


**DOUBLE SCISSOR LIFT
MOBILE ON WHEEL**

- Robust Steel welded construction
- Reliable hydraulic system
- Ensures a comfortable working heights for user
- Increases efficiency & reduces fatigue and back pain of operator
- Fully guided in heavy duty channels with thick heavy arms.
- All rollers, pivoting points with phosphor bronze / brass bushing for long life.

SCISSOR LIFTS ARE AVAILABLE IN HAND OPERATED, BATTERY OPERATED, ELECTRICALLY AC OPERATED & FLAME PROOF TYPE

WE MANUFACTURE SCISSOR LIFTS AS PER CUSTOMER'S REQUIREMENT.



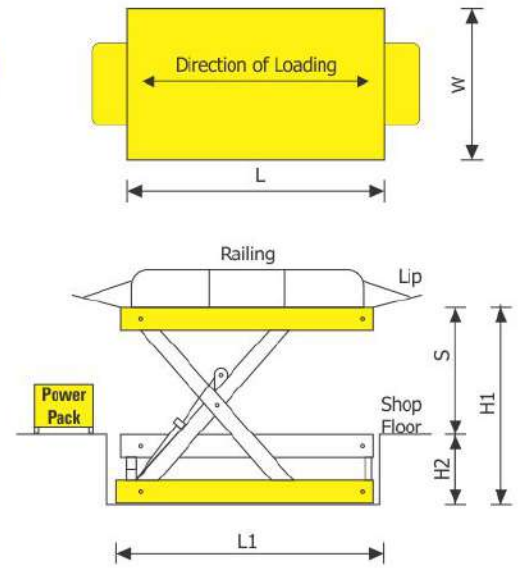
MODEL	TABLE SIZE L x W (MM)	LOAD CAPACITY (KG)	TABLE HEIGHT MIN. / MAX. (MM)		LIFT MM	OVERALL SIZE L1 x W1 (MM)
SC 0512 D	1000 x 500	500	400	1200	800	1500 x 650
SC 0514 D	1250 x 600	500	400	1400	1000	1750 x 750
SC 0517 D	1500 x 700	500	400	1700	1300	2000 x 850
SC 0521 D	2000 x 800	500	400	2100	1700	2500 x 950
SC 1013 D	1000 x 500	1000	500	1300	800	1500 x 650
SC 1015 D	1250 x 600	1000	500	1500	1000	1750 x 750
SC 1018 D	1500 x 700	1000	500	1800	1300	2000 x 850
SC 1022 D	2000 x 800	1000	500	2200	1700	2500 x 900

HYDRAULIC SCISSOR LIFT

CAPACITY : 500 To 9000 Kg.



**SINGLE SCISSOR LIFT
PIT MOUNTED STATIONERY**



- These are stationery pit mounted designed to match shop floor area with functional loading area with vertical lift.
- Widely used for loading / unloading of material from shop floor to various heighted truck, container etc.
- Available with wide load carrying capacity from 500 Kg. to 9000 Kg. with various table sizes.
- Scissor lifts are manufactured as per customer's requirements.



MATERIAL LOADING / UNLOADING FROM SHOP FLOOR

CUSTOM BUILT SCISSOR LIFT

SCISSOR LIFT
CAPACITY : 5000 Kg.
TABLE : 5000 x 2500 mm



SCISSOR LIFT (Open)
CAPACITY : 5000 Kg.
TABLE : 5000 x 2500 mm



SCISSOR LIFT
ELECTRIC AC OPERATED
CAPACITY : 1000 Kg.



SCISSOR LIFT
CAPACITY : 3000 Kg.
TABLE : 5000 x 3000 mm



SCISSOR LIFT
CAPACITY : 3000 Kg.
TABLE : 5000 x 3000 mm



SCISSOR LIFT
FOOT OPERATED SWITCHES
CAPACITY : 1500 Kg.



SCISSOR LIFT
LINE ASSEMBLY
CAPACITY : 1000 Kg.



SCISSOR LIFT
CAPACITY : 1000 Kg.
TABLE : 1500 x 1000 mm



SCISSOR LIFT WITH
MOUNTING FIXTURES
AT TOP



CUSTOM BUILT SCISSOR LIFT

SCISSOR LIFT
CAPACITY : 3000 Kg.
TABLE : 3000 x 2000 mm



SCISSOR LIFT (Open)
ROLLER TABLE ON TOP
CAPACITY : 1000 Kg.



DOUBLE SCISSOR LIFT
CAPACITY : 1000 Kg.
TABLE : 2000 x 1500 mm



DOUBLE SCISSOR LIFT
MOVABLE ON TRACK
CAPACITY : 500 Kg.



SCISSOR LIFT
ROLLER TABLE ON TOP
CAPACITY : 2000 Kg.



SCISSOR LIFT
ELECTRIC CONTROL PANEL
WITH STAND



SCISSOR LIFT WITH
ROLLER TABLE
CAPACITY : 1000 Kg.



SCISSOR LIFT
TURNTABLE AT TOP
CAPACITY : 500 Kg.



DOUBLE SCISSOR LIFT
MOBILE ON WHEELS
CAPACITY : 500 Kg.



CUSTOM BUILT SCISSOR LIFT



HYDRAULIC DOCK LEVELER

CAPACITY : 5000 & 9000 kg.



STAR FEATURES :

- Robust in construction.
- Easy to operate.
- Compact and economical design.
- Avoids chances of accidents.
- Lifting of dock with two cylinders.
- Control panel coupled to power pack.
- Reduces man efforts, man power, man hours.
- Reduces loading / unloading time of vehicles.
- Specially designed Polyurethane buffers for shock absorption.
- 10 mm checked plate for Lip to prevent deflection under load.
- High performance Hydraulic power pack.
- Reliable electrical control panel for smooth operation.



DOCK LEVELER IN PARKED POSITION (HT 600 mm)



DOCK LEVELER IN BOTTOM POSITION (HT 350 mm)



DOCK LEVELER IN MIDDLE POSITION (HT VARIABLE)

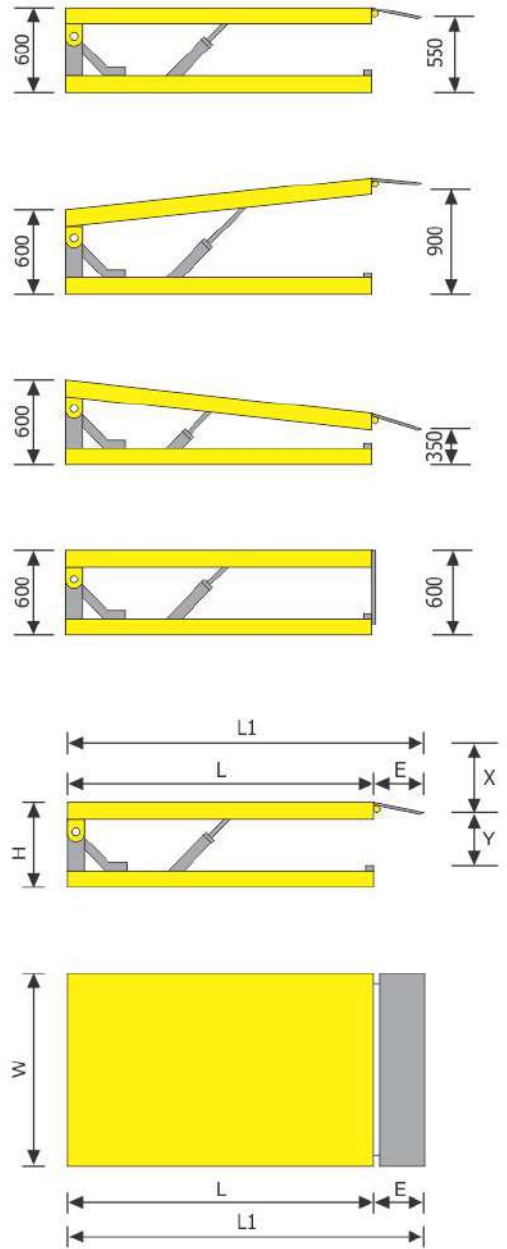


DOCK LEVELER IN TOP POSITION (HT 900 mm)

HYDRAULIC DOCK LEVELER

CAPACITY : 5000 & 9000 kg.

- Dock Leveler is an adjustable ramp between loading vehicle & despatch section. It bridges the gap between despatch section level and truck height.
- Popularly used in warehouses, godowns, in factories for efficient loading / unloading of material.
- Dock leveler is operated by fully automatic electro hydraulic power pack, 415 V, 3 Phase AC supply.
- Control panel is provided with 4 separate push buttons for Dock up, Dock down, Lip up & Lip Down operations. Additional emergency off push button is provided for safety.
- Control panel is coupled to power pack with stand for easy maintenance.
- The dock is lifted up by 2 hydraulic cylinders for proper balancing & to avoid uneven load on hinges.
- Dock leveler is a one piece assembly for easy commissioning.
- Specially designed I beam structure with thick ribs at each joints makes entire structure rigid and prevents deflection under heavy loads.
- The dock levelers are designed to move up and down to suit varied heights of the tempo, truck, LCV, container so that the material handling equipments like fork lifts etc. can be directly taken in and out of the loading vehicles which increases productivity and safety.



MODEL	DOCK 50	DOCK 90
Capacity (kg)	5000	9000
Dock Width W (mm)	1800	2100
Dock Length L (mm)	2400	2700
Overall Length with Lip L1 (mm)	2800	3100
Lip Extension E (mm)	400	400
Working Range Above X (mm)	300	300
Working Range Below Y (mm)	250	250
Dock Top Height H (mm)	600	600
Motor Power	1 HP	1 HP

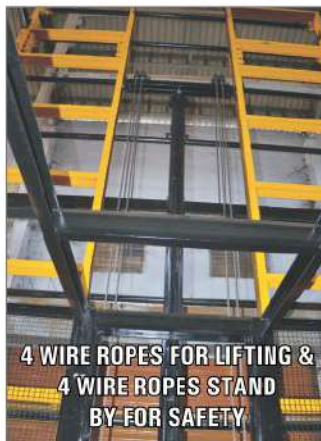


HYDRAULIC GOODS LIFTS (FOUR CHANNEL GUIDE)

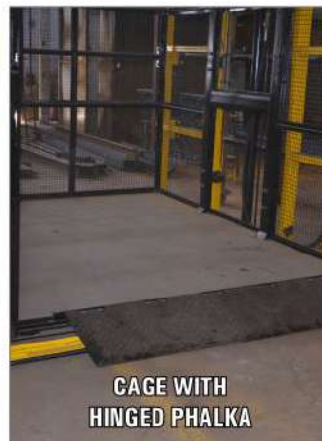
CAPACITY : 500 to 3000 Kg. LIFT : UPTO 6 Mtr.



**ELECTRIC CONTROL PANNEL
WITH EMERGENCY
OFF & HOOTER**



**4 WIRE ROPES FOR LIFTING &
4 WIRE ROPES STAND
BY-FOR SAFETY**



**CAGE WITH
HINGED PHALKA**



**INTERLOCKED SAFETY
SHUTTERS TO CAGE &
ON SHOP FLOOR**

HYDRAULIC GOODS LIFTS (FOUR CHANNEL GUIDE)

CAPACITY : 500 to 3000 Kg. LIFT : UPTO 6 Mtr.

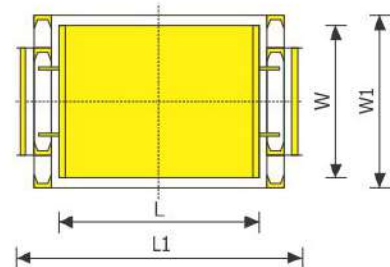
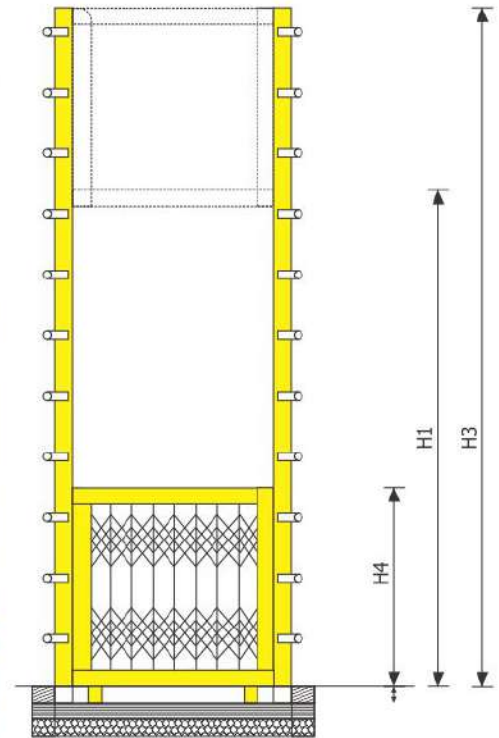
- Used to shift shop floor goods to up stairs.
- Up & Down movement with fully automatic electric power pack.
- Fully interlocked with height limit switches, door limit switches & hooter.
- Adjustable overload protection valve gives safety against overloading.
- These lifts are self standing lifts & no civil work like duct or heavy top slab is needed.
- Power pack is on ground for easy maintenance work.



PLATFORM - 1500 X 2500 mm
CAPACITY - 2000 Kg.
LIFT - 5000 mm



PLATFORM - 2200 X 2200 mm
CAPACITY - 2000 Kg.
LIFT - 6000 mm



GOODS LIFTS ARE DESIGNED AS PER CUSTOMER'S REQUIREMENT & SPECIFICATIONS.

MODEL	GL - 4 1040	GL - 4 1060	GL - 4 2040	GL - 4 2060
Load Carrying Capacity (kg)	1000	1000	2000	2000
Max. Platform Height H1 (mm)	4000	6000	4000	6000
Min. Platform Height H2 (mm)	125	125	125	125
Platform Length L (mm)	2100	2400	2100	2400
Platform Width W (mm)	1500	1800	1500	1800
Overall Length L1 (mm)	2900	3200	2900	3200
Overall Width W1 (mm)	2100	2400	2100	2400
Overall Height H3 (mm)	6500	8500	6500	8500
Cage Height H4 (mm)	1500	1800	1500	1800

HYDRAULIC GOODS LIFTS (TWO CHANNEL GUIDE)

CAPACITY : 500 & 1000 Kg., LIFT : UPTO 6 Mtr.



CAGE



POWER PACK



PULLEY & ROPES



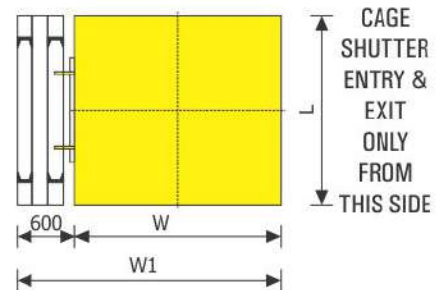
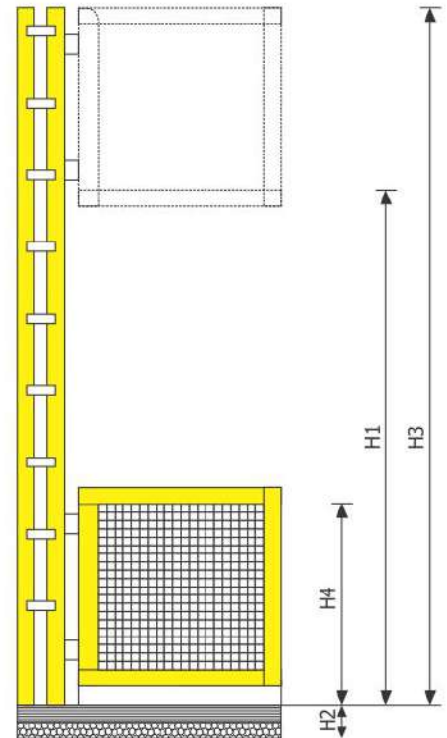
CAGE & HINGED PHALKA

HYDRAULIC GOODS LIFTS (TWO CHANNEL GUIDE)

CAPACITY : 500 & 1000 Kg. LIFT : UPTO 6 Mtr.

STAR FEATURES

- Used for material shifting from shop floor to up stairs.
- These are self standing lifts & no civil work like duct is needed.
- Up & down movement with fully automatic Electro Hydraulic Power Pack.
- Adjustable overload protection valve gives safety against overloading.
- Power pack is on ground for easy maintenance work.
- Up & down movement are controlled by height limit switches in addition to mechanical stoppers.
- Occupies small space on shop floor.
- Two lifting chains & 2 stand by ropes are provided as standard features.



TWO CHANNEL GOODS LIFTS ARE MANUFACTURED AS PER CUSTOMER REQUIREMENTS & SPECIFICATIONS.

MODEL	GL - 2 0540	GL - 2 0560	GL - 2 1040	GL - 2 1060
Load Carrying Capacity (kg)	500	500	1000	1000
Max. Platform Height H1 (mm)	4000	6000	4000	6000
Min. Platform Height H2 (mm)	125	125	125	125
Platform Length L (mm)	1000	1000	1000	1000
Platform Width W (mm)	1000	1000	1000	1000
Overall Length L1 (mm)	1300	1300	1300	1300
Overall Width W1 (mm)	1600	1600	1600	1600
Overall Height H3 (mm)	6000	8000	6000	8000
Cage Height H4 (mm)	1500	1500	1500	1500

HYDRAULIC LIFTING PLATFORM (FOUR CHANNEL GUIDE)

CAPACITY : 500 to 3000 Kg. LIFT: Upto 6 Mtr.



- Similar to four channel guide goods lift with platform only but without cage, sliding shutters.
- Economical solution for material lifting and shifting from shop floor to up stairs.

HYDRAULIC LIFTING PLATFORM (TWO CHANNEL GUIDE)

CAPACITY : 500 to 1000 Kg. LIFT: Upto 6 Mtr.



- Similar to two channel guide goods lift with platform only but without cage, sliding shutter
- Economical solution for material lifting and shifting from shop floor to up stairs.

MEZZANINE FLOOR

CAPACITY : 1000 Kg. Per Sq. Mtr.

- Mezzanine floor is an ideal solution in order to take full advantage of working height utilized by almost doubling the surface area. It is mainly used as godowns, storage area, wear houses, working platforms and as office area.
- Mezzanine floors are heavy duty steel fabricated and bolted construction, quick and easy to install. They can be easily disassembled and all parts can be reused. They are designed in such a way that their structure, dimensions and locations can be easily modified.
- Mezzanine floor provides additional storage area by maximising the usable height within available area.



MEZZANINE FLOOR

CAPACITY : 1000 Kg. Per Sq. Mtr.

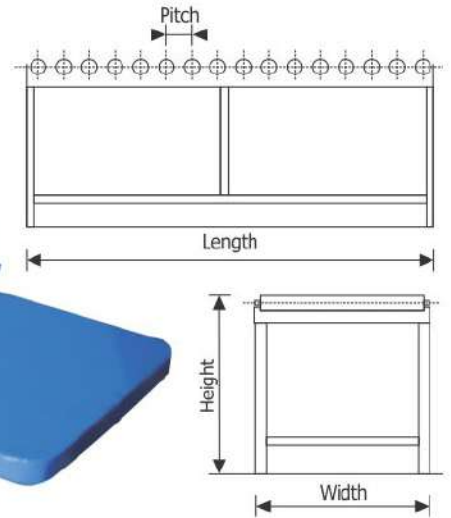
Mezzanine floor consists of

- 1) **Columns** - Upright vertical members made of box steel section with mounting plates at bottom.
- 2) **Beams** - Horizontal load members made of box steel section resting on vertical columns provides rigid base for decking panel.
- 3) **Decking** - Top is provided with M.S. checkered plate C section channels with bottom ribs.
- 4) **Staircase** - Heavy steel fabricated stair case with handrail is provided with checkered plate step with ribs for personnel access to mezzanine floor.
- 5) **Railing** - Tubular bolted railing 1000 mm height with M.S. Sheet cladding 300 mm height at bottom.



GRAVITY ROLLER CONVEYORS

CAPACITY : 50 to 600 Kg. Per Mtr.



- A high quality conveyor system with a robust steel track with high quality MS rollers is designed for easy transport of goods between locations.
- Height adjustable legs allow to create a gradual slope for smooth rolling of goods.
- Low cost & virtually maintenance free for long lasting, trouble free service.

SELECTION GUIDANCE NOTES.

- Type of load and pitch of rollers.
Rigid loads having firm and flat base should have minimum 3 rollers under the load. Material with soft base requires closest pitch.
- Load caring capacity.
The size and weight of package will decide the load caring capacity of conveyor system.
- Track Width
Package should be contained within roller face width.



HEIGHT ADJUSTABLE STAND / CONVEYOR ON CASTOR WHEELS



HINGED FLAP AT END FOR MATERIAL STOP



GUIDED TRACK

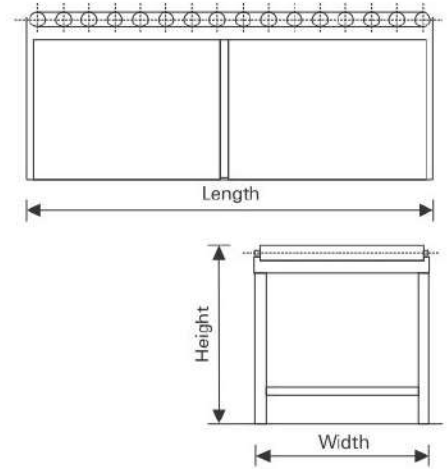


BALL TRANSFER UNITS



BELT CONVEYORS

CAPACITY : 50 to 200 Kg. Per Mtr.

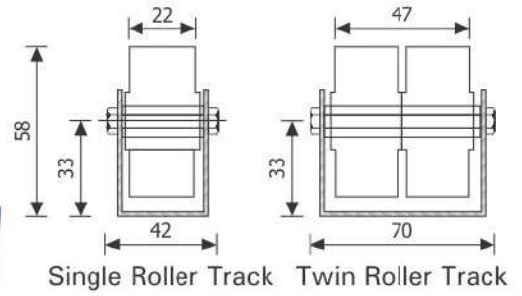


- A versatile motor powered conveyor, ideal for small product handling, machine feeding and unloading, transfer operations between processes, inspection or packing stations.
- All rotating parts like motor, gear box drive, rollers, drums are totally guarded for safety.
- Conveyor is equipped with motor, gear box and end drum driven by sprockets and chain.
- A good quality endless 2 Ply PVC, smooth surface belt is used with hot vulcanized joint.
- Standard belt speed is 0.2 mtr. / sec. and it can be changed as per customer requirement.
- Start, Stop, Forward, Reverse and Emergency Stop buttons are provided near gear box at one end.

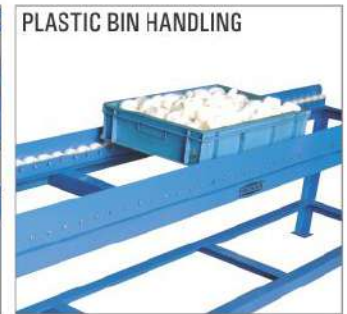
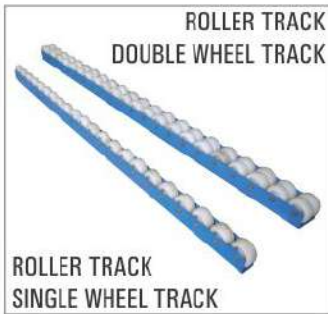


ROLLER TRACKS

CAPACITY : 3 Kg. Per Roller



- Load carrying capacity - 3 Kg / Roller
- Roller Size - Dia 50 x Width 22 mm.
- Standard Pitch - 55 mm.
- Standard Length - 1250 mm.



GRAVITY CONVEYOR SYSTEM

CAPACITY : 400 Kg. per mtr. LENGTH : 44 mtr. WITH BALL TRANSFER UNITS



BATTERY PLATFORM TRUCK

CAPACITY : 2000 & 3000 kg.



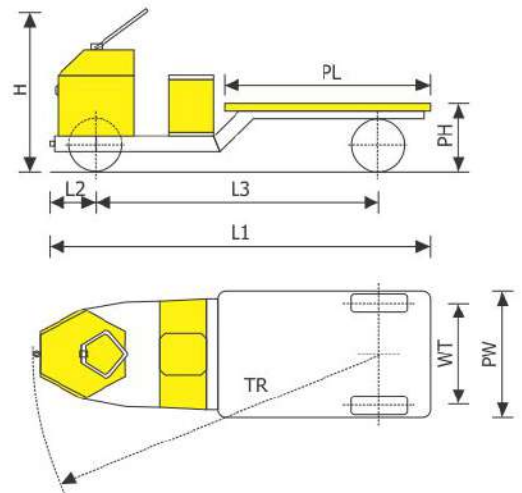
SALIENT FEATURES

- Easy to Operate.
- Robust in Construction.
- Excellent Manoeuverability.
- Compact and Economical Design.
- Reliable Electrical Circuit.
- Easy Access to All Components.
- Load Capacity : 2000 kg, 3000 kg.
- Wheels : Dia. 460 mm. X Width 125 mm. Bonded Cushion Rubber Tyre.
- Motor : 30 V, 2.3 HP.
- Battery : 30 V, 200 AH or 300 AH.

TRAVELING SPEEDS (KM/HR)

- For 2000 kg Laden 7 - 9, Unladen 9 - 11
- For 3000 kg Laden 5 - 7, Unladen 7 - 9

- Drive Unit : Series wound traction motor is mounted above the drive wheel. Motor is connected to drive wheel by 3 stage reduction gear box.
- Steering : Effortless steering under heavy load is achieved by using heavy duty self aligned ball bearings & thrust bearings.
- Brakes : The brake consist of two internal expanding shoes mounted on rear axel with parking brake facility.
- Controls : Dash board consists of controls for key switch, forward, reverse motion selector switch, horn, light and emergency cut off push button. Accelerator and brake paddle are foot operated.
- Electronic Controls : Electronic controls for soft start and jerk free transmission gives better battery life & lower maintenance cost.



SPECIFICATIONS		PLATFORM TRUCK	TOW TRUCK
Platform Length	PL	1500	750
Platform Width	PW	1000	1000
Platform Height	PH	500	500
Overall Length	L1	2950	2200
Front Overhang	L2	450	450
Wheel Base	L3	2050	1450
Wheel Track	WT	850	850
Turning Radius	TR	2500	1900
Overall Height	H	1275	1275

MATERIAL LIFTER AND TILTER

CAPACITY : 300 Kg. LIFT : Upto 6 Mtr.



STATIONERY MODEL

MOBILE MODEL UPTO 3 MTR. HEIGHT

INDUCTION FURNACE CHARGING RAIL TROLLEY

CAPACITY : 1000 Kg.



A - PARALLEL TO RAIL



B - PERPENDICULAR TO RAIL

- Fully Automatic, operated by push buttons .
- To and fro movement on straight rail from scrap yard to furnace by gear box coupled with electric motor.
- Tilting by electro hydraulic power pack connected to hydraulic cylinders.
- To, Fro, Up & Down all movements controlled by limit switches.

RAIL TROLLEY

Capacity : up to 1000 Kg.



RAIL TROLLEY



MATERIAL TILTER ON RAIL



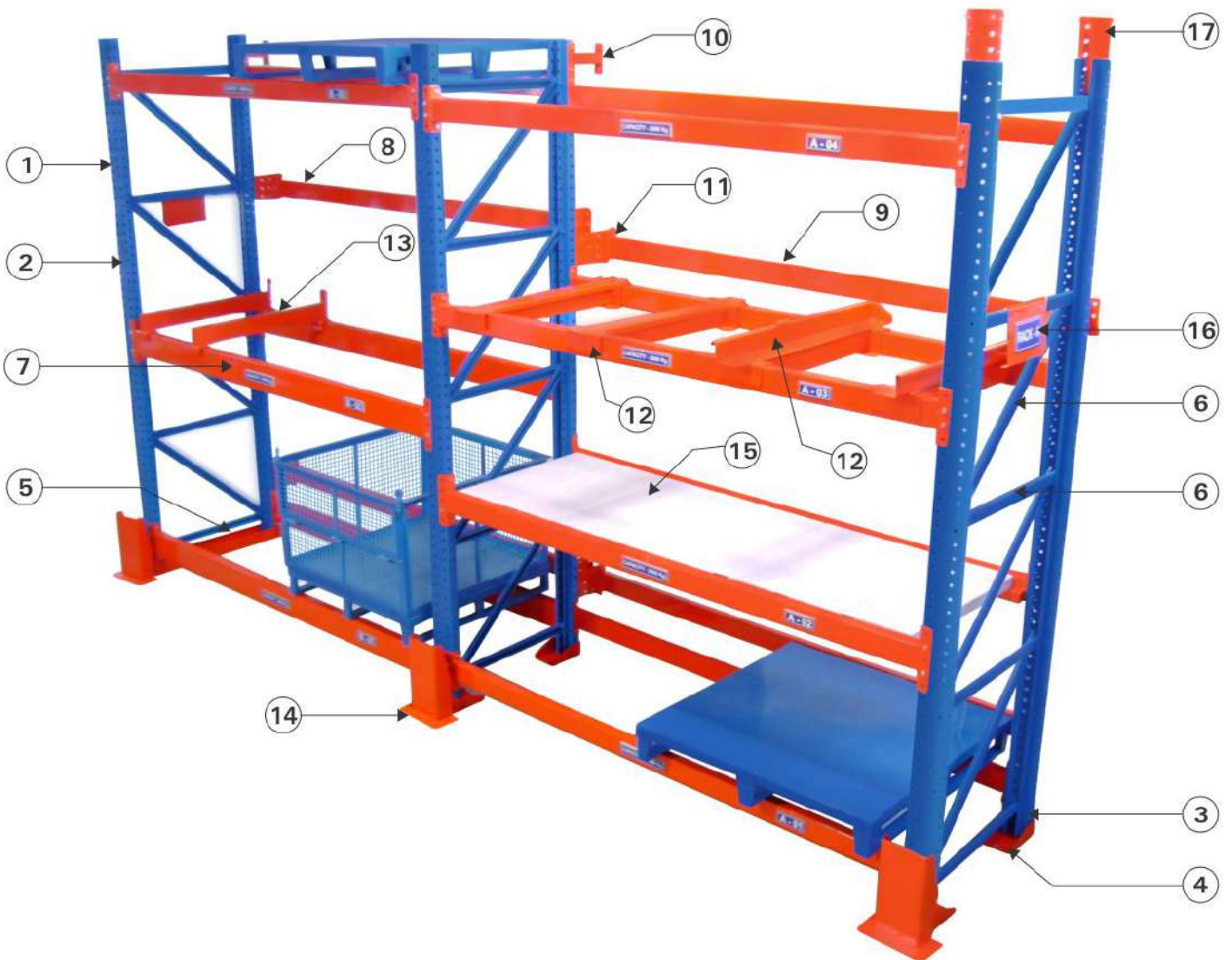
INDUSTRIAL SHELVING - HEAVY DUTY

CAPACITY : 2000 TO 3000 Kg. Per Shelf



INDUSTRIAL SHELVING - HEAVY DUTY

CAPACITY : 2000 TO 3000 Kg. Per Shelf



1 Vertical Frames



2 Uprights



3 Base Plate



4 Base Plate Shims Set



5 Base Plate Load Spreader



6 Horizontal & Diagonal Members



7 Horizontal Load Members



8 Pallet Back Stop for Single Side Storage



9 Pallet Back Stop for Double Side Storage



10 Wall Spacer / Wall Tie



11 Frame Spacer for Double Side Storage



12 Pallet Support Straight type



12 Pallet Support Inclined type



13 Box Riser



14 Column Guards U Type



15 Decking Panel



16 Name Plate



17 Frame Extension Member

INDUSTRIAL SHELVING - HEAVY DUTY

CAPACITY : 2000 TO 3000 Kg. Per Shelve

1) Vertical Frames

Consists of two uprights bolted together with horizontal & diagonal members.

2) Uprights

Uprights are provided with holes 50 mm pitch throughout its length allowing to position horizontal load members to tailor the system to your specific requirements. The 8 fold section profile provides structural rigidity & heavy load carrying capacity even for structure with high heights.

3) Base Plate

Base plate is provided with holes for anchor fastener for securing upright to ground.

4) Base Plate Shims Set

Shims set consists of 3 plates, with variable thickness with holes for anchor fasteners. It ensures even, straight ground surface where shop floor is uneven & provides flat surface for uprights.

5) Base Plate Load Spreader

It is provided with 2 holes on either side for anchor fastener for securing vertical frame to ground. Base plate load spreader spreads load pressure exerted by the vertical frame on to a larger ground area.

6) Horizontal & Diagonal Members

Horizontal & Diagonal Members are single piece m. s. sheet bended to form a C channel & are bolted to uprights to form a rigid vertical frame.

7) Horizontal Load Members

Horizontal Load Members are single piece m. s. sheet bended to form a C channel for strength & two such C channels are welded to form a box type horizontal load members.

8) Pallet Back Stop for Single Side Storage

Pallet back stop prevents pallet from falling from back side of shelve & provides guide line of back location of pallet over horizontal load member.

9) Pallet Back Stop for Double Side Storage

Pallet back stop prevents pallet from falling from back side of shelve & provides guide line of back location of pallet over horizontal load member.

10) Wall Spacer / Wall Tie

Wall Spacer / Wall Tie clearly determines the distance of storage system from wall. It is recommended to use wall spacer / ties as it increases stability of storage system.

11) Frame Spacer for Double Side Storage System

Frame Spacer is used to connect two frames together for double side storage system for stability. One frame spacer after every 1.5 mtr. upright height is necessary for stability of storage system.

12) Pallet Support – Straight type & Inclined type

Pallet Supports are necessary where pallet depth is less than that of depth of shelf unit. In such condition pallet support is placed in proper position on horizontal load member & a pallet is kept on pallet support.

13) Box Riser

Wooden boxes, Containers, Bins etc. do not have legs at bottom & are not possible to store over storage system. In such conditions box risers are placed over horizontal load member & boxes are kept on box riser with bottom clearance for forks.

14) Column Guards C Type

C Type Column Guards are provided as protection to uprights in corner areas & traffic ways against fork lift impact.

15) Decking Pannel

These 300 mm wide steel panels are simply placed over special section of horizontal load member to form a decking pannel. Individual pannel is bolted together to form a sturdy deck for material storage.

16) Name Plate

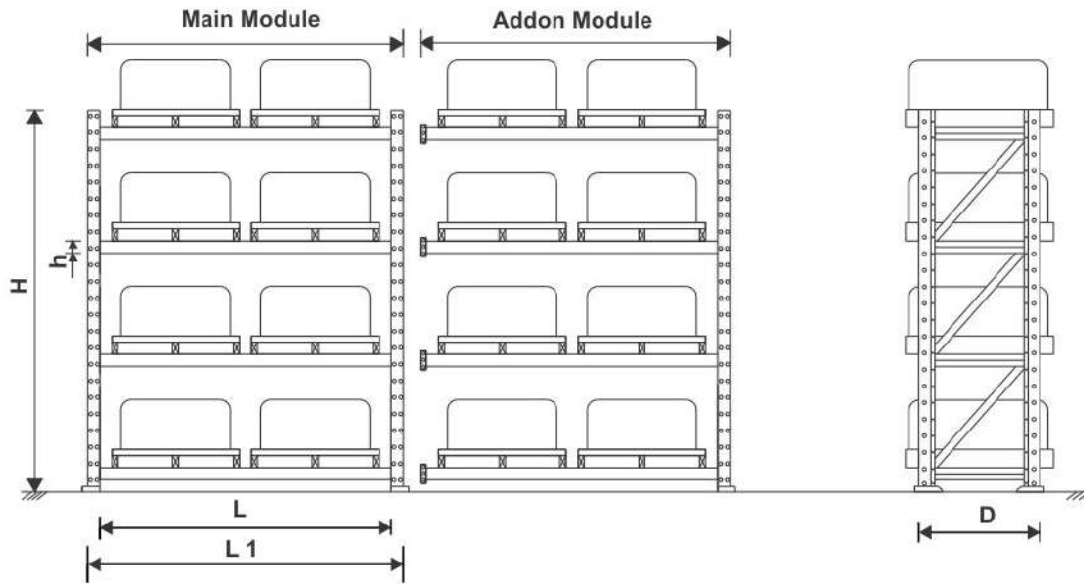
Name plate is provided with rack for identification.

17) Frame Extension Member

Frame Extension Member is used to connect two frames together for increased height of storage rack.

INDUSTRIAL SHELVING - HEAVY DUTY

CAPACITY : 2000 TO 3000 Kg. Per Shelf



- Industrial Shelving – Heavy duty is commonly known as adjustable pallet storage system. This is the most popular and economical form of pallet storage providing safe storage upto 5 mtr height, fully utilizing vertical space.
- Since material is stored vertically it saves expensive shop floor space.
- As material is stored in systematic manner it helps in instant identification of material and reduces man hours and fatigue.
- Adjustable pallet storage system is highly versatile system & can be used to accommodate most industrial, commercial, retail storage requirements.
- Adjustable shelves allows to tailor the system to your specific requirements in short time and unrestricted access and ability to store variety of items.

MODEL	ISH – 20			ISH – 20		
	8 x 20	8 x 25	8 x 30	10 x 20	10 x 25	10 x 30
Load Capacity / Shelf	2000 Kg	2000 Kg	2000 Kg	2000 Kg	2000 Kg	2000 Kg
Depth of Shelf (D mm)	800 mm	800 mm	800 mm	1000 mm	1000 mm	1000 mm
Length of Shelf (L mm)	2000 mm	2500 mm	3000 mm	2000 mm	2500 mm	3000 mm
Overall length of Rack (L1 mm)	2250 mm	2750 mm	3250 mm	2250 mm	2750 mm	3250 mm
Horizontal load Member (h x w mm)	125 x 50	150 x 50	175 x 50	125 x 50	150 x 50	175 x 50

MODEL	ISH – 30			ISH – 30		
	8 x 20	8 x 25	8 x 30	10 x 20	10 x 25	10 x 30
Load Capacity / Shelf	3000 Kg	3000 Kg	3000 Kg	3000 Kg	3000 Kg	3000 Kg
Depth of Shelf (D mm)	800 mm	800 mm	800 mm	1000 mm	1000 mm	1000 mm
Length of Shelf (L mm)	2000 mm	2500 mm	3000 mm	2000 mm	2500 mm	3000 mm
Overall length of Rack (L1 mm)	2250 mm	2750 mm	3250 mm	2250 mm	2750 mm	3250 mm
Horizontal load Member (h x w mm)	125 x 50	150 x 50	175 x 50	125 x 50	150 x 50	175 x 50

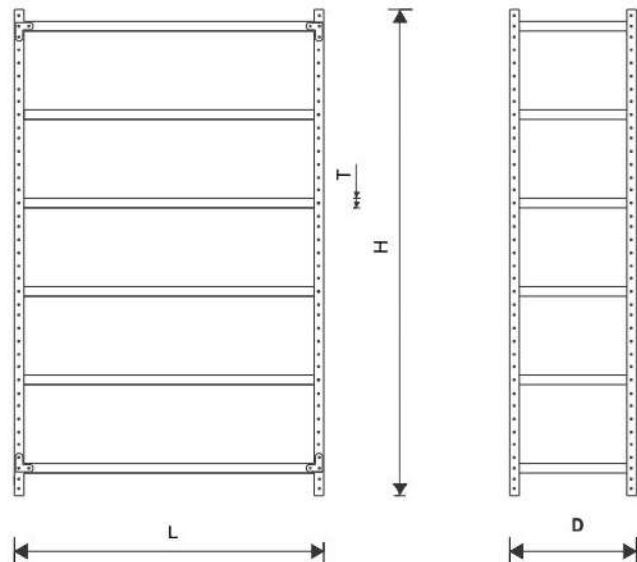
- All models are available in four standard height - H-2500, H-3000, H-4000, H-5000 mm
- We also manufacture industrial shelving as per customer's requirements.

INDUSTRIAL SHELVING - MEDIUM DUTY

CAPACITY : 100 TO 150 Kg. Per Shelve



- A highly versatile shelving system can be used to accommodate most industrial, commercial and retail storage requirements. An extremely robust construction joined together with nut bolts, designed for medium duty storage, most ideal for industrial applications.
- Shelves are easily adjustable allowing unrestricted access and ability to store various items. Thicker corner plates at each joint increase the racking strength required for heavy industrial applications.
- Shelves are provided with bottom reinforcement to prevent buckling under heavy loads.



INDUSTRIAL SHELVING - MEDIUM DUTY

CAPACITY : 100 TO 150 Kg. Per Shelf

MODEL	ISM			ISM		
	300 x 1.6	450 x 1.6	600 x 1.6	300 x 2.5	450 x 2.5	600 x 2.5
Load Capacity / Shelf	100 Kg	100 Kg	100 Kg	150 Kg	150 Kg	150 Kg
Depth of Shelf (D mm)	300 mm	450 mm	600 mm	300 mm	450 mm	600 mm
Length of Shelf (L mm)	1250 mm	1250 mm	1250 mm	1250 mm	1250 mm	1250 mm
Bend Height of Shelf (T mm)	40 mm	40 mm	40 mm	40 mm	40 mm	40 mm
Sheet Thickness for Shelf	1.6 mm	1.6 mm	1.6 mm	2.5 mm	2.5 mm	2.5 mm
Vertical member Angle Size	37 X 37 X 3	37 X 37 X 3	37 X 37 X 3	37 X 37 X 3	37 X 37 X 3	37 X 37 X 3

- All models are available in three standard height H-1500, H-2000, H-2500 mm
- We also manufacture industrial shelving as per customer's requirements.



Industrial Shelving



Side & Back Cladding with m. s. sheet



Side & Back Cladding with wire mesh



Side & Back Arrester



PLATFORM TROLLEY
CAPACITY : 300 TO 1000 Kg.

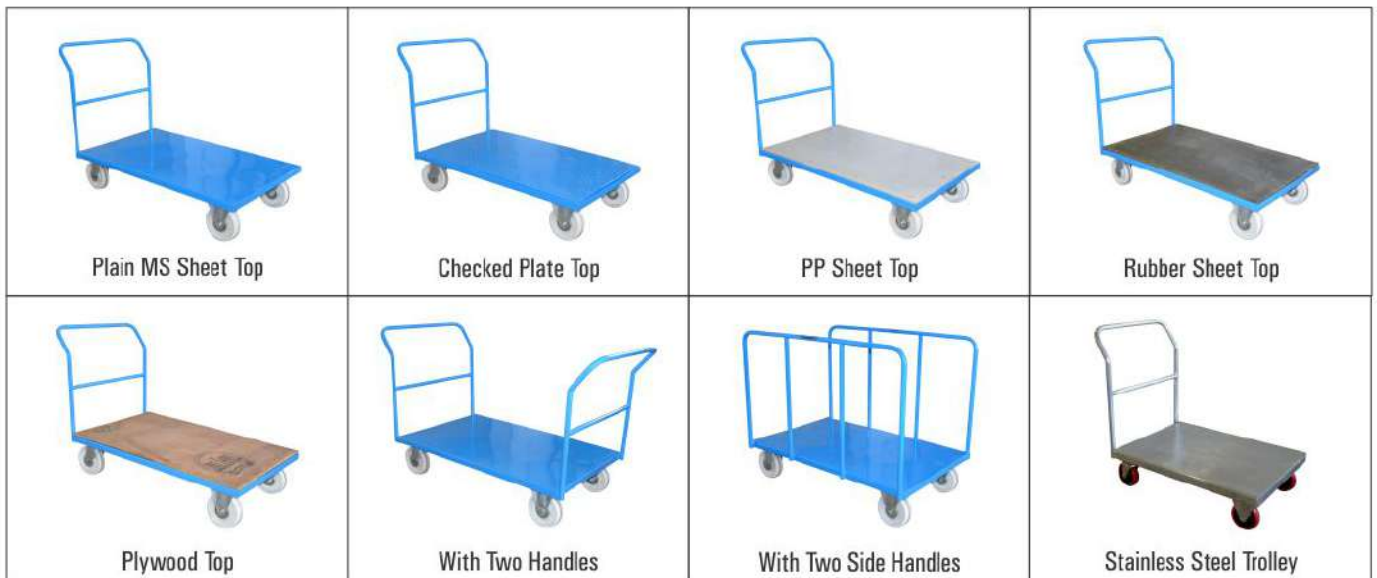


SIZE (L x W)	CAPACITY
600 x 450 mm	300 Kg.
900 x 600 mm	500 Kg.
1250 x 750 mm	700 Kg.
1500 x 900 mm	1000 Kg.

WE ALSO MAKE CUSTOM BUILT TROLLEYS AS PER CUSTOMER'S REQUIREMENTS.

STAINLESS STEEL TROLLEYS ARE AVAILABLE

- Platform is fabricated from single piece M.S.sheet bended to form ' C ' channel at ends to give good aesthetic look & is ribbed at bottom with angles and channels to increase strength.
- Platform trolley is fitted with 2 fixed & 2 swivel castors.
- Platform trolleys are extensively used for movement of corrugated boxes, gunney bags, heavy materials, crates etc. within factories, godowns, stores & wear houses.



MODEL	P - 600	P - 900	P - 1250	P - 1500
Capacity (Kg)	300	500	700	1000
Platform Size (L x W mm)	600 x 450	900 x 600	1250 x 750	1500 X 900
Platform Height (mm)	170	225	275	275
Handle Height (mm)	950	950	950	950
Overall Size (L x W x H)	750 x 450 x 950	1050 x 600 x 950	1400 x 750 x 950	1650 x 900 x 950
Castor / Wheels (D x W mm)	100 x 32	150 x 50	200 x 50	200 x 50

TURNTABLE PLATFORM TROLLEY

CAPACITY : 500 to 1000 Kg.



SIZE (L x W)	CAPACITY
900 x 600 mm	500 Kg.
1250 x 750 mm	700 Kg.
1500 x 900 mm	1000 Kg.

WE ALSO MAKE CUSTOM BUILT TROLLEYS AS PER CUSTOMER'S REQUIREMENTS.

STAINLESS STEEL TROLLEYS ARE AVAILABLE

- Turntable Platform Trolley is fabricated from single piece M.S. sheet bended to form 'C' channel at ends to give good aesthetic look & is ribbed at bottom with angles and channels to increase strength.
- Trolley is provided with 2 fixed Castors & 2 wheels fitted on heavy duty turntable assembly.
- This compact turntable assembly with spring loaded handle increases manoeuverability of trolley & reduces pulling efforts by @ 30%.
- These trolleys are extensively used for movement of corrugated boxes, gunney bags, heavey material, crates etc. within factories, godowns, stores & wear houses.

Turntable Assembly - Combination of Thrust & Taper roller bearing

Turntable Platform Trolley is available in

- Plain M.S. Sheet Top
- Checked Plate Top
- P P Sheet Top
- Rubber Sheet Top
- Plywood Top

• STAINLESS STEEL TROLLEYS ARE AVAILABLE.

MODEL	P - 900 T	P - 1250 T	P - 1500 T
Capacity (Kg)	500	700	1000
Platform Size (L x W mm)	900 x 600	1250 x 750	1500 X 900
Platform Height (mm)	225	275	275
Handle Height (mm)	950	950	950
Turntable Handle Height (mm)	1050	1050	1050
Overall Size (L x W x H mm)	1100 x 600 x 1050	1450 x 750 x 1050	1700 x 900 x 1050
Castor / Wheels (D x W mm)	150 x 50	200 x 50	200 x 50

WORK SHOP TROLLEY

CAPACITY : 300 to 1000 Kg.

SIZE (L x W)	CAPACITY
600 x 450 mm	300 Kg.
900 x 600 mm	500 Kg.
1250 x 750 mm	700 Kg.
1500 x 900 mm	1000 Kg.



- Workshop trolley is fabricated from single piece M.S.sheet bended to form ' C ' channel at ends to give good aesthetic look & is ribbed at bottom with angles and channels to increase strength. At the top of platform M. S. sheet/ wiremesh about 300 mm height is provided from 4 sides.
- Workshop Trolley is fitted with 2 fixed & 2 swivel castors.

- Workshop trolleys are extensively used for movement of loose components within factories, godowns, stores and wear houses.
- We Also Make Custom Built Trolleys As Per Customer's Requirements.
- Stainless Steel Trolleys Are Available



MODEL	W - 600	W - 900	W - 1250	W - 1500
Capacity (kg)	300	500	700	1000
Platform Size (L x W mm)	600 x 450	900 x 600	1250 x 750	1500 X 900
Platform Height (mm)	170	225	275	275
Handle Height (mm)	950	950	950	950
Sheet / Wiremesh Ht. above Platform (mm)	300	300	300	300
Overall Size (L x W x H mm)	750 x 450 x 950	1050 x 600 x 950	1400 x 750 x 950	1650 x 900 x 950
Castor / Wheels (D x W mm)	100 x 32	150 x 50	200 x 50	200 x 50

TURNTABLE WORKSHOP TROLLEY

CAPACITY : 500 to 1000 Kg.



SIZE (L x W)	CAPACITY
900 x 600 mm	500 Kg.
1250 x 750 mm	700 Kg.
1500 x 900 mm	1000 Kg.

- Turntable Workshop trolley is fabricated from single piece M.S. sheet bended to form 'C' channel at ends to give good aesthetic look & is ribbed at bottom with angles and channels to increase strength. At the top of platform a M. S. sheet / wiremesh about 300 mm height is provided from 4 sides.
- Trolley is provided with 2 fixed castors & 2 wheels fitted on heavy duty turntable assembly.

- Turntable assembly is provided with combination of thrust bearing with taper roller bearing for easy steering under heavy loads.
- This compact turntable assembly with spring loaded handle increases manoeuverability of trolley & reduces pulling efforts by @ 30%.
- These trolleys are extensively used for movement of loose compounds within factories, godowns, stores & wear houses.



Turntable Assembly - Combination of Thrust & Taper roller bearing

- Turntable Workshop Trolley is available in**
- Trolley 4 sides closed upto 300 mm height by M. S. sheet / wiremesh
 - Trolley 3 sides closed upto 600 mm height and one side open.
 - Trolley 3 sides closed upto 600 mm height, one side closed upto 300 mm and a hinged door 300 mm above it.
 - STAINLESS STEEL TROLLEYS ARE AVAILABLE.

MODEL	W - 900 T	W - 1250 T	W - 1500 T
Capacity (Kg)	500	700	1000
Platform Size (L x W mm)	900 x 600	1250 x 750	1500 X 900
Platform Height (mm)	225	275	275
Handle Height (mm)	950	950	950
Turntable Handle Height (mm)	1050	1050	1050
Wiremesh / Sheet Ht. above Platform (mm)	300	300	300
Overall Size (L x W x H mm)	1050 x 600 x 1050	1400 x 750 x 1050	1650 x 900 x 1050
Castor / Wheels (D x W mm)	150 x 50	200 x 50	200 x 50

TURNTABLE PLATFORM TRUCK

CAPACITY : 1000 TO 2000 Kg.



Truck with Pulling Handle



Truck with Towing Handle

- Turntable Platform truck is fabricated from heavy duty 'C' channel frame with m.s. sheet 2.5 mm over frame. It is ribbed at bottom with channels to increase strength.
- Truck is Provided with 2 fixed castors & 2 wheel fitted on heavy duty turntable assembly.
- Turntable assembly is provided with combination of thrust bearing with taper roller bearing for easy steering under heavy loads.
- This Compact turntable assembly with spring loaded handle increases manoeuvrability of trolley & reduces pulling efforts by @ 30 %.
- Truck is provided with manual pulling or mechanical towing arrangement.
- These trucks are ideal for bulk movement of material, corrugated boxes, gunney bags, heavy materials, crates etc. within factories, godowns, stores & wear houses.
- Truck with wiremesh railing, m.s. sheet railing or with pipe railing from 3 sides and one side hinged door is available.
- Trucks are available with hard Polymer wheels or with rubber wheels or with pneumatic wheels.



MODEL	P - 1800 T	P - 2100 T	P - 2400 T
Capacity (Kg)	1000	1500	2000
Platform Size (L x W mm)	1800 x 1000	2100 x 1000	2400 x 1000
Platform Height (mm)	450	450	450
Handle Height (mm)	950	950	950
Turntable Handle Height (mm)	1100	1100	1100
Overall Size (L x W x H mm)	2000 x 1000 x 1100	2300 x 1000 x 1100	2600 x 1000 x 1100
Castor / Wheels (D x W mm)	300 x 75	300 x 75	300 x 75

TURNTABLE PLATFORM TRUCK

CAPACITY : 1000 TO 2000 Kg.



With M.S. sheet railing from 3 sides & one side with hinged door



With M.S. wiremesh railing from 3 sides & one side with hinged door



With M.S. pipe railing from 3 sides & one side with hinged door

TWO SHELF TROLLEY

CAPACITY : 300 to 700 Kg.



SIZE (L x W)	CAPACITY
600 x 450 mm	300 Kg.
900 x 600 mm	500 Kg.
1250 x 750 mm	700 Kg.



- Shelf trolley is fabricated from single piece m.s. sheet bended to form ' C ' channel at ends to give good aesthetic look & is ribbed at bottom with angles and channels to increase strength. Top shelf is at 800 mm from ground level.
- Shelf trolley is fitted with 2 fixed & 2 swivel castors.
- Shelf trolleys are used to accommodate most industrial, commercial & retail storage requirements.
- These are widely used on shop floors as mini stores, on assembly lines to cater the material requirement or as a work & assembly tables.
- We Also Make Custom Built Trolleys As Per Customer's Requirements.
- Stainless Steel Trolleys Are Available



• TWO SHELF TROLLEY WITH SAFTY DOOR WITH LOCK

MODEL	SH – 600 x 2	SH – 900 x 2	SH – 1250 x 2
Capacity (kg)	300	500	700
Capacity / Shelf (kg)	150	250	350
Shelf Size (L x W mm)	600 x 450	900 x 600	1250 x 750
Handle Height (mm)	950	950	950
Bottom Shelf Height (mm)	170	225	275
Top Shelf Height (mm)	800	800	800
Overall Size (L x W x H mm)	750 x 450 x 950	1050 x 600 x 950	1400 x 750 x 950
Castor / Wheels (D x W mm)	100 x 32	150 x 50	200 x 50

THREE SHELF TROLLEY

CAPACITY : 300 to 750 Kg.

SIZE (L x W)	CAPACITY
600 x 450 mm	300 Kg.
900 x 600 mm	600 Kg.
1250 x 750 mm	750 Kg.



- Shelf trolley is fabricated from single piece m.s. sheet bended to form ' C ' channel at ends to give good aesthetic look & is ribbed at bottom with angles and channels to increase strength. Top shelf is at 800 mm from ground level.
- Shelf trolley is fitted with 2 fixed & 2 swivel castors.
- Shelf trolleys are used to accommodate most industrial, commercial & retail storage requirements.
- These are widely used on shop floors as mini stores, on assembly lines to cater the material requirement or as a work & assembly tables.
- Stainless Steel Trolleys Are Available



MODEL	SH - 600 x 3	SH - 900 x 3	SH - 1250 x 3
Capacity (kg)	300	600	750
Capacity / Shelf (kg)	100	200	250
Shelf Size (L x W mm)	600 x 450	900 x 600	1250 x 750
Handle Height (mm)	950	950	950
Bottom Shelf Height (mm)	170	225	275
Middle Shelf Height (mm)	500	520	540
Top Shelf Height (mm)	800	800	800
Overall Size (L x W x H mm)	750 x 450 x 950	1050 x 600 x 950	1400 x 750 x 950
Castor / Wheels (D x W mm)	100 x 32	150 x 50	200 x 50

FIVE SHELF TROLLEY

CAPACITY : 500 TO 700 Kg.



SIZE (L x W)	CAPACITY
900 x 600 mm	500 Kg.
1250 x 600 mm	600 Kg.
1250 x 750 mm	700 Kg.



- Shelf trolley is fabricated from single piece M.S. Sheet bended to form ' C ' channel at ends to give good aesthetic look & is ribbed at bottom with angles to increase strength. Top shelf is at 1500 mm from ground level.
- Shelf trolley is fitted with 2 fixed & 2 swivel castors.
- Shelves are easily adjustable allowing to tailor the system to your specific requirements.
- Shelf trolleys are used to accommodate most industrial, commercial & retail storage requirements.
- These are widely used on shop floors as mini stores, on assembly lines to cater the material requirement.
- Stainless Steel Trolleys Are Available



• FIVE SHELF TROLLEY WITH SAFETY DOOR WITH LOCK

MODEL	SH - 900 x 5	SH - 1250 x 5A	SH - 1250 x 5B
Capacity (Kg)	500	600	700
Capacity / Shelf (Kg)	100	120	140
Shelf Size (L x W mm)	900 x 600	1250 x 600	1250 x 750
Handle Height (mm)	950	950	950
Bottom Shelf Height (mm)	225	275	275
Top Shelf Height (mm)	1500	1500	1500
Overall Size (L x W x H mm)	1050 x 600 x 1500	1400 x 600 x 1500	1400 x 750 x 1500
Castor / Wheels (D x W mm)	150 x 50	200 x 50	200 x 50
Middle 3 Shelves	Adjustable	Adjustable	Adjustable

COMPARTMENT SHELF STAND

CAPACITY : 300 Kg.



Compartments with Front Open



Compartments with Front Half Closed



Rack



Mixed Compartments



Application

SACK TROLLEY

CAPACITY : 100 to 150 Kg.



SACK - 100
(Cap. - 100 Kg.)



SACK - 125
(Cap. - 125 Kg.)



SACK - 150
(Cap. - 150 Kg.)



Sack Trolley Application

- Sack trolley is fabricated from thick round M.S. Pipe with ribs for sturdy construction with m.s. flats pressed to form a particular curved shape back support.
- This trolley is designed for easy movement of gunney bags in sugar factories, rice & dal mills, in godowns etc, where gunney bags are to be handle in bulk.

WE ALSO MAKE CUSTOM BUILT TROLLEYS AS PER CUSTOMER'S REQUIREMENTS.

STAINLESS STEEL TROLLEYS ARE AVAILABLE



Stainless Steel Trolley

MODEL	SACK - 100	SACK - 125	SACK - 150
Capacity (kg)	100	125	150
Overall Dimension (L x W mm)	1150 x 420	1150 x 420	1150 x 420
Width at nose (mm)	350	350	350
Pipe used	3/4" A Class	3/4" A Class	1" A Class
Pipe Section	Round	Round	Elliptical
Wheel Size (D x W mm)	150 x 50	200 x 50	200 x 50

MULTI UTILITY TROLLEY

CAPACITY : 100 to 200 Kg.



MULTI - 100
(Cap. - 100 Kg.)



MULTI - 150
(Cap. - 150 Kg.)



MULTI - 200
(Cap. - 200 Kg.)



Multi Utility Trolley
(Application)

- Multi Utility trolley is fabricated from thick M.S. Pipe with ribs for sturdy construction with front nose about 300 mm long for better base support for corrugated boxes.
- Additional folding platform provided helps to accommodate larger sizes of boxes.
- These are extensively used in factories, godowns, wear houses, stores for easy movement of corrugated boxes.

WE ALSO MAKE CUSTOM BUILT TROLLEYS AS PER CUSTOMER'S REQUIREMENTS.

STAINLESS STEEL TROLLEYS ARE AVAILABLE



Stainless Steel Trolley

MODEL	MULTI - 100	MULTI - 150	MULTI - 200
Capacity (kg)	100	150	200
Overall Dimension (L x W mm)	1150 x 500	1150 x 600	1150 x 600
Back Support Width (mm)	350	450	450
Nose Size (L x W mm)	300 x 500	300 x 600	300 x 600
Pipe used	3/4" A Class	3/4" A Class	3/4" A Class
Folding Platform (L x W mm)	500 x 300
Wheel Size (D x W mm)	150 x 50	200 x 50	200 x 50

GAS CYLINDER TROLLEY (SINGLE CYLINDER)

Capacity : 100 Kg.



Co2 - S x 2
(Cap. - 100 Kg.)

Co2 - S x 3
(Cap. - 100 Kg.)

Co2 - S x 3
(Application)

CYLINDER	SIZE (D x H)
Co2	240 x 1400 mm
O2	240 x 1400 mm
ORGON	240 x 1400 mm
LPG	340 x 600 mm

STAINLESS STEEL TROLLEYS ARE AVAILABLE

Single Gas Cylinder Trolleys for Co2, O2, Orgon Cylinder



LPG - S x 2
(Cap. - 100 Kg.)

LPG - S x 2
(Application)

- The trolley is fabricated with single piece aesthetically bended 3/4" A class M.S. Pipe with bottom M.S. Plate. The trolley is provided with lockable safety chain as a standard feature.
- These trolleys are extensively used for movement of carbon dioxide cylinders, oxygen cylinders & LPG cylinders in factories, godowns, stores, wear houses etc.
- These trolleys are available in
 - CO2 - S x 2 – Single Cylinder trolley for Co2 / O2 Cylinders with 2 wheels
 - CO2 - S x 3 – Single Cylinder trolley for Co2 / O2 Cylinders with 3 wheels
 - LPG - S x 2 – Single Cylinder trolley for LPG Cylinders with 2 wheels

Single Gas Cylinder Trolleys for LPG Cylinder

WE ALSO MAKE CUSTOM BUILT TROLLEYS AS PER CUSTOMER'S REQUIREMENTS.



Stainless Steel Trolley

MODEL	Co2 - S x 2	Co2 - S x 3	LPG - S x 2
Capacity (kg)	100	100	100
Overall Dimension (L x W mm)	1300 x 500	1300 x 500	1150 x 500
Back Support Width (mm)	300	300	300
Nose Size (L x W mm)	250 x 300	250 x 300	250 x 300
Pipe Used	3/4 "A Class	3/4 "A Class	3/4 "A Class
Wheels, (D x W mm)	200 x 50	200 x 50	200 x 50
Swivel Castors (D x W mm)	---	125 x 50	---

DOUBLE GAS CYLINDER TROLLEY

CAPACITY : 200 Kg.



GCT - 2 X W
(Cap. - 200 Kg.)



GCT - 2 X W
(Application)

WIDE BASE TROLLEY



GCT - 2 X N
(Cap. - 200 Kg.)



GCT - 2 X N
(Application)

NARROW BASE TROLLEY

*The trolley is fabricated with single piece aesthetically bended 3/4" A class M.S. Pipe with bottom M.S. Plate. The trolley is provided with lockable safety chain as a standard feature

*These trolleys are extensively used for movement of carbon dioxide cylinders, oxygen cylinders & LPG cylinders in factories, godowns, stores, wear houses etc.

*These trolleys are available in
GCT - D x W – Gas Cylinder trolley for two Cylinders CO₂ / O₂ & LPG with wide span
GCT - D x N – Gas Cylinder trolley for two Cylinders CO₂ / O₂ & LPG with narrow span

MODEL	GCT – D x W	GTC – D x N
Capacity (kg)	200	200
Overall Dimension (L x W mm)	1300 x 900	1300 x 400
Pipe Used	½ "A Class	½ "A Class
Wheels (D x W mm)	200 x 50	100 x 32
Swivel Castors (D x W mm)	125 x 50	100 x 32

WE ALSO MAKE CUSTOM BUILT TROLLEYS AS PER CUSTOMER'S REQUIREMENTS.

STAINLESS STEEL TROLLEYS ARE AVAILABLE

GAS CYLINDER PALLET

CAPACITY : 400 Kg.



*Sturdy steel pallet for safe transportation of multiple cylinder using pallet truck 1150 X 685 mm

*Suitable for 4 cylinders upto Dia 300mm

*Cylinders can be loaded at both ends.

*Provided with middle support & safety chain for each cylinder

DRUM TROLLEY

CAPACITY : 300 Kg.



Drum - 3W
(3 Wheels)



Drum - 3W
(Application)



Drum - 2W
(2 Wheels)

MODEL	Drum - 3W	Drum - 2W
Capacity (kg)	300	300
Overall Dimension (L x W mm)	1550 x 650	1550 x 650
Pipe Used	Sq. Tube 38 x 38	Sq. Tube 38 x 38
Wheels (D x W mm)	200 x 50	200 x 50
Swivel Castor (D x W mm)	125 x 50	—

- The trolley is fabricated from thick M. S. Square tube supported by M.S. Flats of heavy section & round pipe.
- This trolley is designed for easy movement of 210 Lit. drums from one place to other in chemical factories, oil depots, factories, wear houses, godowns etc.
- Trolley is fitted with bigger diameter of wheels for effortless handling of loaded drums.

PALLET LOADING DRUM TROLLEY

CAPACITY : 300 Kg.



Drum - 4W



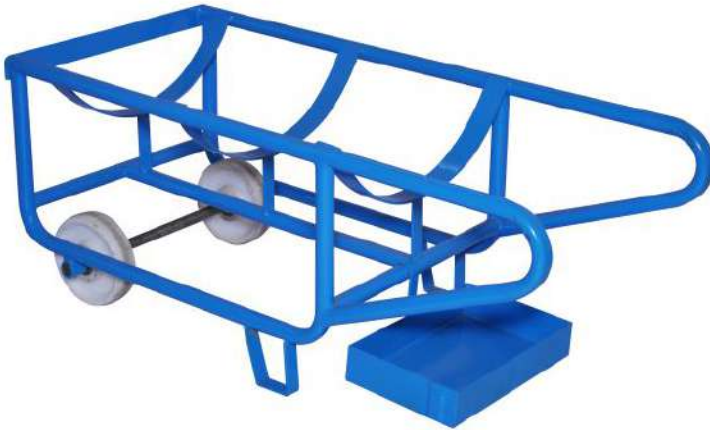
(Attachment)

- The construction of this trolley is similar to regular drum trolley but in place of swivel castor, trolley is fitted with 2 fixed wheels. This arrangement allows to climb on pallet with loaded drum for loading drums on pallet as well as easily step down from pallet with loaded drum for unloading drum from pallet.
- The separate attachment with mounting plate, axle with 2 wheels is available which can be easily fitted with 4 nuts & bolts to our regular drum trolley for pallet loading, unloading application.



DRUM STAND

CAPACITY : 300 Kg.



- Drum Stand is designed for safely support 210 Ltr. drum allowing easy tipping or dispensing.
- Drum Stand is provided with two wheels and long leverage handle for easy handling of drum by single person and can be used as two wheel drum transporter.
- Hook on sheet tray is provided to collect spills as a standard accessory
- Drum Stand is economical & safe way of oil tip, drain, & storage of drums

MODEL	Drum Stand
Capacity (kg)	300
Overall Dimension (L x W mm)	1400 x 600 x 500
Pipe Used	1" A class
Wheels (D x W mm)	200 x 50
Drum Stand Height (mm)	350

DRUM DOLLY

CAPACITY : 300 Kg.



- Drum dolly is specifically designed to transport 210 Lit. drums with ease.
- Overall size is 600 x 160 mm.
- Drum Height from ground is 160 mm.
- Drum Dolly is fitted with 4 swivel castors 75 x 32 mm.

DRUM INCLINER

CAPACITY : 300 Kg.



- Drum incliner is designed to incline the vertical drum about 50 mm so that taper waxes of drum trolley, drum tilter etc. can be easily put inside.

SINGLE WHEEL BARROW

CAPACITY : 100 to 200 Kg.



SWB - 100
(Rubber Wheels)



SWB - 150
(Polymer Wheels)



SWB - 200
(Rubber Wheels)



SWB - 200
(Polymer Wheels)

- This trolley is fabricated from M.S. Sheet bended to form a pan, ribbed with angle at corners & flat at edges.
- Base frame is made with single piece pipe bended to give desired shape with ribs at bottom.
- Trolley is provided with single wheel at centre.
- Single wheel barrows are used for carrying light material, loose components, carrying garbage, metal chips, burr, for gardening purpose etc.

• STAINLESS STEEL TROLLEYS ARE AVAILABLE



Single Wheel Barrow with Pneumatic Tyres



SWB - 200 (Application)

MODEL	SWB - 100	SWB - 150	SWB - 200
Capacity (Kg)	100	150	200
Volumetric Capacity	80 Lit.	80 Lit.	80 Lit.
Pan Size at top (mm)	400 X 800	400 X 800	400 X 800
Pan Size at bottom (mm)	400 X 600	400 X 600	400 X 600
Depth of pan at wheel end (mm)	350	350	350
Depth of pan at handle end (mm)	260	260	260
Pan Sheet Thickness (mm)	1.0	1.6	2.5
Base frame Pipe	3/4" A Class	3/4" A Class	1" A Class
Overall Size (L x W x H mm)	1300 x 550 x 750	1300 x 550 x 750	1300 x 550 x 750
Wheel Size (Dia x Width mm)	200 x 50	250 x 50	300 x 50

DOUBLE WHEEL BARROW

CAPACITY : 100 to 200 Kg.



DWB - 100
(Rubber Wheels)



DWB - 150
(Polymer Wheels)



DWB - 200
(Rubber Wheels)



DWB - 200
(Polymer Wheels)

- This trolley is fabricated from M.S. Sheet bended to form a pan, ribbed with angle at corners & flat at edges.
- Base frame is made with single piece pipe bended to give desired shape with ribs at bottom .
- Trolley is provided with two wheels at ends.
- Double wheel barrows are used for carrying light material, loose components, carrying garbage, metal chips, burr, for gardening purpose etc.
- STAINLESS STEEL TROLLEYS ARE AVAILABLE



Double Wheel Barrow With Pneumatic Tyres



DWB - 200 (Application)



MODEL	DWB – 100	DWB – 150	DWB – 200
Capacity (Kg)	100	150	200
Volumetric Capacity	80 Lit.	80 Lit.	80 Lit.
Pan Size at top (mm)	400 X 800	400 X 800	400 X 800
Pan Size at bottom (mm)	400 X 600	400 X 600	400 X 600
Depth of pan at wheel end (mm)	350	350	350
Depth of pan at handle end (mm)	260	260	260
Pan Sheet Thickness (mm)	1.0	1.6	2.5
Base frame Pipe	3/4" A Class	3/4" A Class	1" A Class
Overall Size (L x W x H mm)	1300 x 550 x 750	1300 x 550 x 750	1300 x 550 x 750
Wheel Size (Dia x Width mm)	200 x 50	250 x 50	300 x 50

COOLANT FEEDING TROLLEY

CAPACITY : 200 to 400 Kg.



- Coolant trolley's base is fabricated from single piece M.S. Sheet bended to form 'C' channel at ends to give good aesthetic look & ribbed at bottom with angles to increase strength.
- Coolant trolley is fitted with 2 fixed & 2 swivel castors.
- Coolant storage tank is fabricated above base from thick M.S. Sheet & is welded from both sides to get leak proof tank.
- Coolant trolley is provided with oil breather at top & is provided with drain plug at bottom.
- It is provided with ½" ball valve with small flexible pipe to remove coolant in emergency
- Tank is provided with 2 height level indicators, one at top & one at bottom & provided with full length transparent plastic tube to get coolant level in tank.
- Coolant trolley is provided with single phase 0.25 HP electric water pump with 1" flexible pipe @ 5 mtr long. Control Pannel is with MCB, on off push button & with industrial metal clad plug & socket.
- Coolant trolley is fitted with rotary hand pump & A4 size drawing pocket as a standard feature.



Ball Valve with Pipe & Level Indicator with Scale

MODEL	CO - 900	CO - 1250
Capacity (Kg)	500	700
Capacity (Lit.)	200 Lit.	400 Lit.
Platform Size (L x W mm)	900 x 600	1250 x 750
Tank Size (L x W x H mm)	600 x 600 x 600	900 x 750 x 600
Handle Height (mm)	950	950
Overall Size (L x W x H mm)	1050 x 600 x 950	1400 x 750 x 950
Castors Wheel (Dia x Width mm)	150 x 50	200 x 50

CHIP TROLLEY

CAPACITY : 100 to 200 Kg.



CH - 600
(Cap. - 100 Kg.)



CH - 900
(Cap. - 200 Kg.)



CH - 700
(Cap. - 200 Kg.)

- Chip trolley's base is fabricated from M.S. rectangular & square tubes & is fitted with 2 fixed & 2 swivel castors.
- Chip storage tank / container is fabricated from thick m.s. sheet & is welded from both sides to get leak proof container.
- WE ALSO MAKE CUSTOM BUILT TROLLEYS AS PER CUSTOMER'S REQUIREMENTS.
- Chip storage tank is fitted on base with brass bush bearing housing. Foot operated spring loaded foot paddle is provided for easy tilting of tank to remove inside material.
- Chip storage tank is provided with ½" ball valve as a standard feature.
- STAINLESS STEEL TROLLEYS ARE AVAILABLE



Tilting



Spring Loaded Paddle For Tilting



½ ball Valve & Drain Plug

MODEL	CH - 600	CH - 900	CH - 700
Capacity (Kg)	100	200	200
Tank Size (L x W x H mm)	600 x 450 x 400	900 x 600 x 500	900 x 600 x 550
Tank Base (L x W mm)	300 x 450	450 x 600	300 x 600
Tank Top (L x W mm)	600 x 450	900 x 600	700 x 600
Tank Height (mm)	400	500	550
Tank height from ground (mm)	600	700	750
Handle Height (mm)	950	950	950
Overall Size (L x W x H mm)	900 x 750 x 950	1100 x 850 x 950	1000 x 900 x 950
Castor / Wheels (D x W mm)	150 x 50	150 x 50	150 x 50

CNC TOOL TROLLEY

H Type Model.



CNC - 900 H



CNC - 900 H

- CNC tool trolley is fabricated from single piece M.S. Sheet bended to form 'C' channel at ends to give good aesthetic look & is ribbed at bottom with angles to increase strength.
- CNC tool trolley is fitted with 2 fixed & 2 swivel castors.
- CNC tool trolley is available in 'H' type model & 'A' type model.
- It is provided with plastic tool pockets in three sizes BT – 30, BT – 40, & BT – 50. With its unique design & high quality engineering plastic it gives protection against scratches, dents etc to tool holders.
- CNC Tool trolley gives instant identification of tools & systematic tool storage.
- Tool pocket trays are easily adjustable allowing to tailor the system to your specific requirement.
- Tool pocket trays are provided with 4 holes to incline the tray in degree, each hole @10 degree i. e. straight position to 30 degree inclination is possible.
- CNC Tool trolley is provided with tray for keeping changed tools & miscellenius material & is provided with A 4 size pocket for drawings as a standard feature



MODEL	CNC – 600 H	CNC – 900 H	CNC – 1250 H
Capacity (Kg)	300	500	700
Platform Size (L x W mm)	600 x 600	900 x 600	1250 x 600
Platform Height (mm)	185	240	240
Height of Vertical Frame above Platform (mm)	900	900	900
No. of Tool pocket trays per trolley	8 Nos.	8 Nos.	8 Nos.
No. of Tool Pocket Per Tray For BT - 30	8 Nos.	14 Nos.	21 Nos.
For BT - 40	6 Nos.	11 Nos.	16 Nos.
For BT - 50	4 Nos.	7 Nos.	10 Nos.
Handle Height (mm)	950	950	950
Overall Size (L x W x H mm)	900 x 600 x 1100	1200 x 600 x 1150	1550 x 600 x 1150
Castor / Wheels (D x W mm)	100 x 32	150 x 50	150 x 50

CNC TOOL TROLLEY

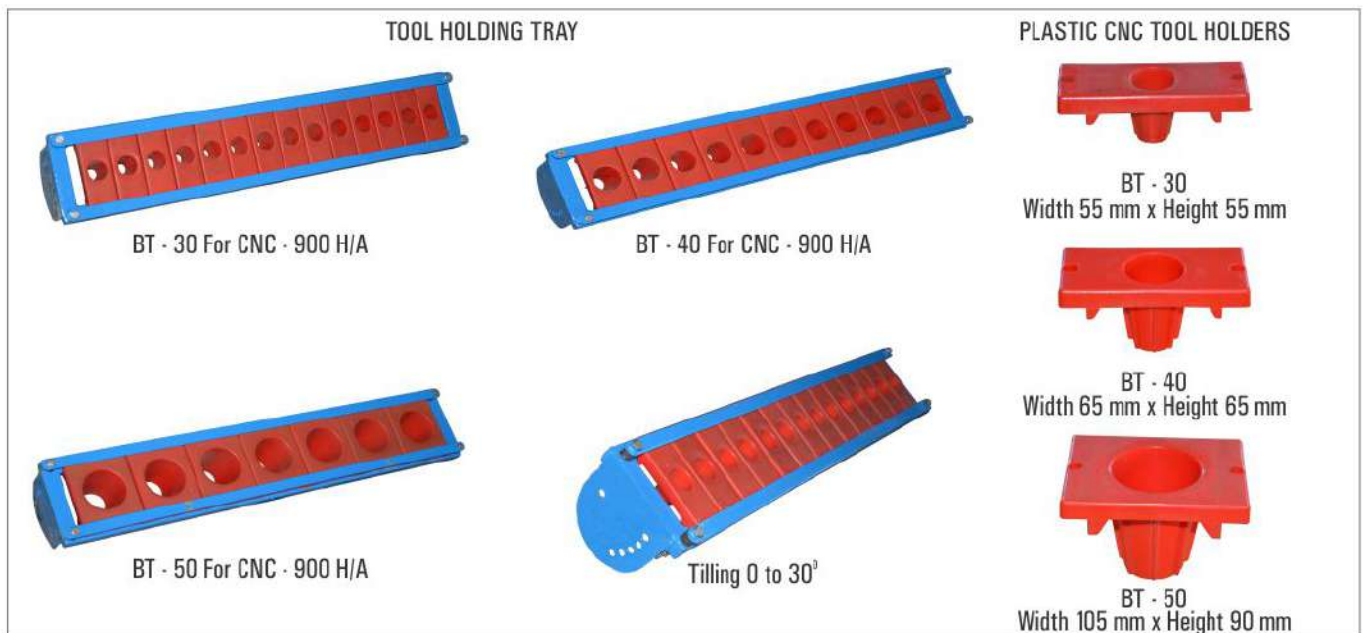
A Type Model.



CNC - 900 A



CNC - 900 A



MODEL	CNC - 600 A	CNC - 900 A	CNC - 1250 A
Capacity (Kg)	300	500	700
Platform Size (L x W mm)	600 x 600	900 x 600	1250 x 600
Platform Height (mm)	185	240	240
Height of Vertical Frame above Platform (mm)	900	900	900
No. of Tool pocket trays per trolley	7 Nos.	7 Nos.	7 Nos.
No. of Tool Pocket Per Tray For BT - 30	8 Nos.	14 Nos.	21 Nos.
For BT - 40	6 Nos.	11 Nos.	16 Nos.
For BT - 50	4 Nos.	7 Nos.	10 Nos.
Handle Height (mm)	950	950	950
Overall Size (L x W x H mm)	900 x 600 x 1100	1200 x 600 x 1150	1550 x 600 x 1150
Castor / Wheels (D x W mm)	100 x 32	150 x 50	150 x 50

INDUSTRIAL STEEL PALLETS

With 4 legs, One at each corner



With Plain Top with 4 legs



With 4 Sides closed upto 450 mm with M.S. sheet



With 4 Sides closed upto 450 mm with wiremesh



With 3 Sides closed upto 600 mm with M.S. sheet & one side open



With 3 Sides closed upto 600 mm with M.S. sheet, one side closed upto 300 mm & hinged door for 300 mm height



With 3 Sides closed upto 600 mm with wiremesh & one side open



With 3 Sides closed upto 600 mm with wiremesh, one side closed upto 300 mm & hinged door for 300 mm height



With 4 sides closed upto height 600 mm with M. S. sheet / wiremesh With fully collapsible / folding type

- Industrial steel pallets are fabricated from single piece m. s. sheet bended to form 'C' channel at ends to give good aesthetic look & is ribbed at bottom with angles to increase strength
- Steel pallets are available in two designs, one is steel pallet with 4 legs, 1 at each corner & other is steel pallet full length support for pallet racking.
- Steel pallet with 4 legs, 1 at each corner is provided with heavy duty single piece bended legs welded at four corners with 120 mm ground clearance for easy pallet truck entry.

MODEL	PA - 6A	PA - 9A	PA - 10A	PA - 12A
Capacity (Kg)	1000	1500	2000	2000
Pallet Size (L x W mm)	600 x 600	900 x 600	1000 x 1000	1200 X 1000
Ground Clearance (mm)	120	120	120	120
Pallet Top Height (mm)	170	170	170	170

INDUSTRIAL STEEL PALLETS

With full length support for pallet racking



With Plain Top
with full length support



With 4 Sides closed upto 450 mm
with M.S. sheet



With 4 Sides closed upto 450 mm
with wiremesh



With 3 Sides closed upto 600 mm
with M.S. sheet & one side open



With 3 Sides closed upto 600 mm with M.S. sheet, one side closed upto 300 mm
& hinged door for 300 mm height



With 3 Sides closed upto 600 mm
with wiremesh & one side open



With 3 Sides closed upto 600 mm with wiremesh, one side closed upto 300 mm
& hinged door for 300 mm height



With 4 sides closed upto height 600 mm with M. S. sheet / wiremesh With fully collapsible / folding type

- Industrial steel pallets are fabricated from single piece m. s. sheet bended to form 'C' channel at ends to give good aesthetic look & is ribbed at bottom with angles to increase strength
- Steel pallet are available in two designs, one is steel pallet with 4 legs, 1 at each corner & other is steel pallet full length support for pallet racking.
- Steel pallet with full length support for pallet racking is provided with full length rectangular pipe support at bottom for 2 side as well as at centre with 120 mm ground clearance for easy pallet truck entry.

MODEL	PA - 6B	PA - 9B	PA - 10B	PA - 12B
Capacity (Kg)	1000	1500	2000	2000
Pallet Size (L x W mm)	600 x 600	900 x 600	1000 x 1000	1200 X 1000
Ground Clearance (mm)	120	120	120	120
Pallet Top Height (mm)	170	170	170	170

INDUSTRIAL WORK TABLE

CAPACITY : 200 to 600 Kg.



- Industrial work table is fabricated from thick m. s. square & rectangular tubes with m. s. sheet at top. Four legs are fitted with polyurethane height adjusting leveling pads as a standard feature.
- Work tables are available with various add on accessories as, work table with top shelve, with bottom shelve, with lockable cupboards, with vertical frame with 'J' hooks for tools, drawings, work instruction sheet etc, with plastic bin holding trays, with 'I' section for tool holders & with tube light fitting etc.
- Heavy duty fully welded steel work table with full range of accessories provides a one stop station & is ideal for many applications on assembly lines, inspection table etc.
- Work table is available with plain m. s. top, checked plate top, p. p. sheet top, rubber sheet top and with wood top.

MODEL	WT 12	WT 15	WT 18	WT 21	WT 24
Capacity (Kg)	200	300	400	500	600
Length (mm)	1200	1500	1800	2100	2400
Widtht (mm)	600	750	900	1050	1200
Height (mm)	750	750	750	750	750

INDUSTRIAL WORK TABLE

CAPACITY : 200 to 600 Kg.



◀ With Top Shelve



With Bottom Shelve ▶



◀ With One Cupboard



With Two Cupboard ▶



◀ With Vertical Frame



With Light Fitting ▶



◀ With 'I' Section For Hanging Tools



With 6" Vice Fitted On Table ▶

INDUSTRIAL TOOL PANNEL

900 mm & 1200 mm Height



With Leveling Pads



With Castor Wheels

- Industrial Tool Pannels are fabricated from single piece m. s. sheet bended to form 'C' channel at ends. It is provided with 6 mm holes at 100 x 100 mm pitch.
- Pannel holding frame is fabricated from m. s. rectangular tube & is provided with polyurethane height adjusting leveling pads at 4 corners or can be provided with castor wheels for mobility.
- Tool can be fitted on tool pannel with various accessories like ' J ' hook, ' U ' hooks, square hooks, rectangular hooks, small trays, small pockets of different sizes.
- Industrial Tool Pannels with its various accessories gives effective space saving system for tool storage, gives instant location of tools.
- With its 100 x 100 mm pitch, tools can be easily adjustable allowing to tailor the system of your specific requirement.
- Tool pannels are available in 900 mm height & 1200 mm height with various widths.

INDUSTRIAL TOOL PANNEL WITH 900 MM HEIGHT			
MODEL	TP - 6 x 9	TP - 9 x 9	TP - 12 x 9
Pannel Length (mm)	600	900	1200
Pannel Height (mm)	900	900	900
Overall Height of stand (mm)	1500	1500	1500
Overall Depth of stand (mm)	500	500	500
No. of holes (pitch 100 x 100 mm)	45 Nos.	81 Nos.	99 Nos.

INDUSTRIAL TOOL PANNEL WITH 1200 MM HEIGHT			
MODEL	TP - 6 x 12	TP - 9 x 12	TP - 12 x 12
Pannel Length (mm)	600	900	1200
Pannel Height (mm)	1200	1200	1200
Overall Height of stand (mm)	1800	1800	1800
Overall Depth of stand (mm)	500	500	500
No. of holes (pitch 100 x 100 mm)	55 Nos.	99 Nos.	121 Nos.

INDUSTRIAL TOOL PANNEL ACCESSORIES



◀ 'J' hook
D 6 x 50 mm
D 6 x 75 mm
D 6 x 100 mm



▶ Round Hook
'ID' 20 mm
'ID' 32 mm
'ID' 52 mm



◀ U Hook
'ID' 10 x 50 mm
'ID' 10 x 75 mm
'ID' 10 x 100 mm



▶ U Hook
'ID' 20 x 50 mm
'ID' 20 x 75 mm
'ID' 20 x 100 mm



◀ Rectangular Hook
'ID' 16 x 50 mm
'ID' 16 x 75 mm
'ID' 16 x 100 mm



▶ Rectangular Hook
'ID' 25 x 50 mm
'ID' 25 x 75 mm
'ID' 25 x 100 mm



◀ Rectangular Hook
'ID' 50 x 75 mm
'ID' 50 x 100 mm



▶ Square Hook
'ID' 16 x 16 mm
'ID' 25 x 25 mm
'ID' 50 x 50 mm



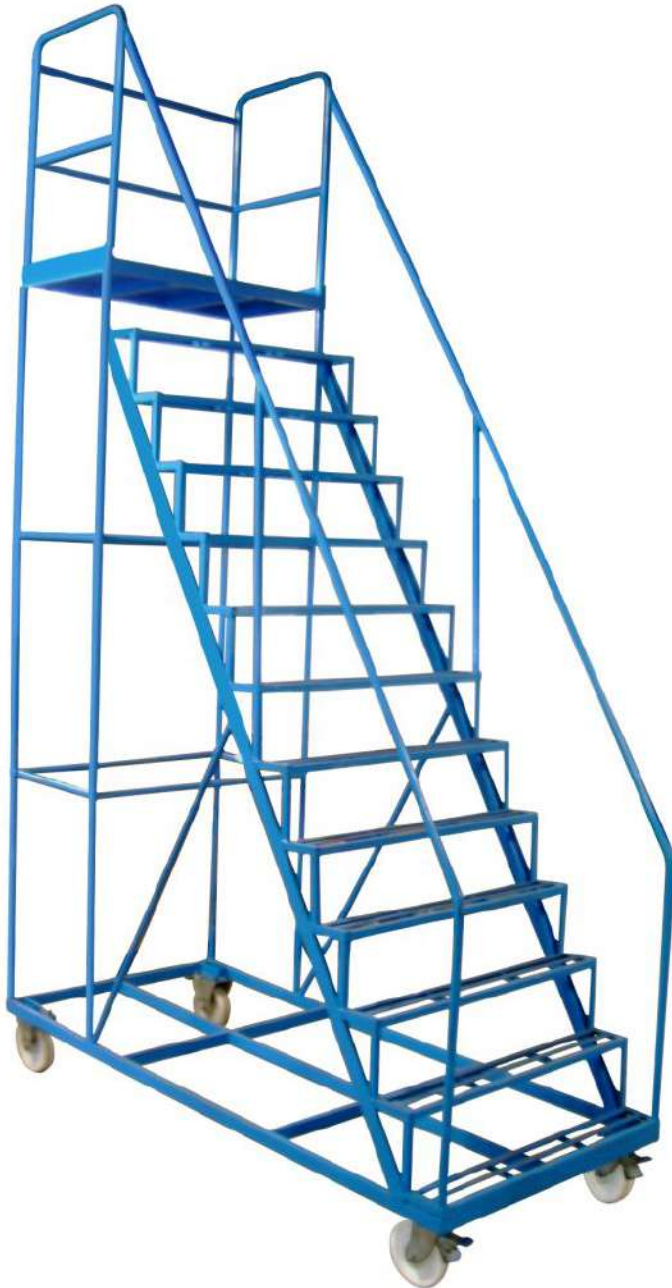
◀ Tray
L 200 x D 75 mm
L 300 x D 100 mm



▶ Pocket
L 150 x W 50 x H 50 mm
L 300 x W 75 x H 75 mm

MOBILE ACCESS STEPS

HEIGHT - 1000 mm to 4000 mm



MAS - 40
Height 4000 mm



MAS - 20
Height 2000 mm

- Mobile Access steps base is fabricated from m.s. rectangular tube & is fitted with 2 fixed & 2 swivel castors with brakes for mobility.
- Top structure is fabricated from m.s. round pipes. On top platform 900 mm railing is provided for operator's safety.
- An extensive range of high quality welded steel access steps are designed to access difficult to reach places.
- Please check the selected unit will have sufficient head space for working.

MODEL	MAS - 10	MAS - 20	MAS - 30	MAS - 40
Capacity (Kg)	300	300	300	300
Platform Height (mm)	1000	2000	3000	4000
No. of Steps (Nos.)	04	08	12	16
Base Frame Length (mm)	1200	1800	2400	3000
Base Frame Width (mm)	600	600	750	900
Safety Railing Height (mm)	900	900	900	900
Overall Height (mm)	2000	3000	4000	5000
Castor / Wheels (D x W mm)	150 x 50	150 x 50	200 x 50	200 x 50

MOBILE ACCESS LADDER

Height - 1000 mm to 4000 mm



MAL - 40
Height 4000 mm



MAL - 20
Height 2000 mm

- Mobile Access Ladders base is fabricated from m.s. rectangular tube & is fitted with 2 fixed & 2 swivel castors with brakes for mobility.
- Top structure is fabricated from m.s. round pipes. On top platform 900 mm railing is provided for operator's safety.
- An extensive range of high quality welded steel access ladders are designed to access difficult to reach places.
- Please check the selected unit will have sufficient head space for working.

MODEL	MAL - 10	MAL - 20	MAL - 30	MAL - 40
Capacity (Kg)	300	300	300	300
Platform Height (mm)	1000	2000	3000	4000
No. of Steps (Nos.)	04	08	12	16
Base Frame Length (mm)	900	1200	1500	1800
Base Frame Width (mm)	600	600	750	900
Safety Railing Height (mm)	900	900	900	900
Overall Height (mm)	2000	3000	4000	5000
Castor / Wheels (D x W mm)	150 x 50	150 x 50	200 x 50	200 x 50

MOBILE ACCESS PLATFORM

HEIGHT - 1000 mm to 4000 mm



MAP - 40
Height 4000 mm



MAP - 20
Height 2000 mm

- Mobile Access Platforms base is fabricated from m.s. rectangular tube & is fitted with 2 fixed & 2 swivel castors with brakes for mobility.
- Top structure is fabricated from m.s. round pipes. On to platform 900 mm railing is provided for operator's safety.
- An extensive range of high quality welded steel access platforms are designed to access difficult to reach places.
- Please check the selected unit will have sufficient head space for working.

MODEL	MAP - 10	MAP - 20	MAP - 30	MAP - 40
Capacity (Kg)	300	300	300	300
Platform Height (mm)	1000	2000	3000	4000
No. of Steps (Nos.)	04	08	12	16
Base Frame Length (mm)	900	1200	1500	1800
Base Frame Width (mm)	600	600	750	900
Safety Railing Height (mm)	900	900	900	900
Overall Height (mm)	2000	3000	4000	5000
Castor / Wheels (D x W mm)	150 x 50	150 x 50	200 x 50	200 x 50

STAND TROLLEY

SINGLE SIDED, DOUBLE SIDED



Single Sided
(Pipe - Dia 33 x 550 mm)



Single Sided
(Tube - 60 x 40 x 550 mm)



Single Sided
(Side Pipe - Dia 33 x 100 mm)



Single sided impeller stand



Double sided casing stand

- Industrial Stand trolleys base is fabricated from single piece m. s. sheet bended to form 'C' channel at ends to give good aesthetic look & is ribbed at bottom with angles to increase strength
- Stand trolley is fitted with 2 fixed & 2 swivel castors for mobility.
- Two vertical members are welded over base & four horizontal members are bolted to them to form a rigid structure Both vertical & horizontal members are provided with holes @ 50 x 50 mm pitch for various arrangements.
- Load carrying members Pipe dia 33 x 550 mm long, Tube 60 x 40 x 550 mm long are fitted to horizontal members with nut bolts.
- Stand trolleys are available in single sided & double sided stand trolleys,
- Stand trolleys are widely used on production lines, in stores, on shop floor for material storage & transportation.
- Stand trolleys with pipes are used for bobbins, reels etc. Stand trolleys with rectangular section are used to carry long pipe, tubes, bars etc.

MODEL	Stand - S	Stand - D
Capacity (Kg)	600	1000
Platform Size (L x W mm)	1250 x 600	1250 x 1200
Vertical member height	1250	1250
Overall height of trolley	1550	1550
No. of Horizontal levels	4 Nos.	4 Nos.
No. of Pipes / level	4 Nos.	8 Nos.
No. of Pipe / trolley	16 nos.	32 nos.
Castor Wheel (D x W mm)	150 x 50	200 x 50

BIN STORAGE TROLLEY
SINGLE SIDED TROLLEY



BIN 15 - S



BIN 25 - S



BIN 35 - S



MISCELLANEOUS

- Bin storage trolleys base is fabricated from m. s. rectangular tubes with 2 fixed & 2 swivel castors for easy mobility.
- Trolley is provided with vertical tubes with holes, 50 mm pitch to adjust the bin trays allowing to tailor the system of your specific requirements.
- Bins trays are fabricated from single piece m. s. sheet bended to give good aesthetic look & is ribbed at sides & at back to increase strength.
- Bin trays are available in various size to cater various applications.
- Bins trolleys are available in single sided & double sided trolley.
- Bin trolleys provides systematic storage & movement of material placed in bin as well as gives instant identification of material stacked in trolley.
- These trolleys are mainly used on shop floors as mini stores, on assembly lines, for storing of various components.
- WE ALSO MAKE CUSTOM BUILT TROLLEYS AS PER CUSTOMER'S REQUIREMENTS.

MODEL	Bin 15 - S	Bin 25 - S	Bin 35 - S
Load Capacity (Kg.)	400	400	400
Trolley Size (L x W mm)	1250 x 600 x 1750	1250 x 600 x 1750	1250 x 600 x 1750
Bin Size (mm)	200 x 125 x 100	230 x 150 x 125	300 x 210 x 160
No of Shelves / Trolley	7 Nos.	7 Nos.	5 Nos.
No of Bins / Shelves	9 Nos.	8 Nos.	5 Nos.
No of Bins / Trolley	63 Nos.	56 Nos.	25 Nos.
Castor / Wheels (D x W mm)	150 x 50	150 x 50	150 x 50

BIN STORAGE TROLLEY
DOUBLE SIDED TROLLEY



BIN 15 - D



BIN 25 - D



BIN 35 - D



MISCELLENIOUS



MISCELLENIOUS



MISCELLENIOUS

• WE ALSO MAKE CUSTOM BUILT TROLLEYS AS PER CUSTOMER'S REQUIREMENTS.

MODEL	Bin 15 - D	Bin 25 - D	Bin 35 - D
Load Capacity (Kg.)	800	800	800
Trolley Size (L x W mm)	1250 x 600 x 1750	1250 x 600 x 1750	1250 x 600 x 1750
Bin Size (mm)	200 x 125 x 100	230 x 150 x 125	300 x 210 x 160
No of Shelves / Trolley	14 Nos.	14 Nos.	10 Nos.
No of Bins / Shelves	9 Nos.	8 Nos.	5 Nos.
No of Bins / Trolley	126 Nos.	112 Nos.	50 Nos.
Castor / Wheels (D x W mm)	150 x 50	150 x 50	150 x 50

FIFO STORAGE SYSTEMS

Capacity - 600 Kg.



FIFO - 15



FIFO - 35



MISCELLENIOUS

- FIFO – First In First Out works on the principle of first in is first out. Material is loaded at rear side on inclined roller track which moves forward due to gravity & is removed from front.
- Material is moved by gravity i.e. there is no need of any manpower or electric power for material movement.
- It saves about 40% of shop floor area by eliminating

MODEL	FIFO - 15	FIFO - 25	FIFO - 35
Capacity (Kg)	600	600	600
Trolley Size (L x W x H mm)	1350 x 650 x 1800	1350 x 650 x 1800	1350 x 650 x 1800
Bin Size (L x W x H mm)	200 x 125 x 100	230 x 150 x 125	300 x 210 x 160
No. of Shelves Per Trolley	05	04	04
No. of Bins rows per Shelve	06	05	05
No. of Bins per row	03	02	02
No. of Bins per shelve	18	10	10
No. of Bins per trolley	90	40	40
Castor / Wheels (D x W mm)	150 x 50	150 x 50	150 x 50

FIFO STORAGE SYSTEMS

Capacity - 600 Kg.

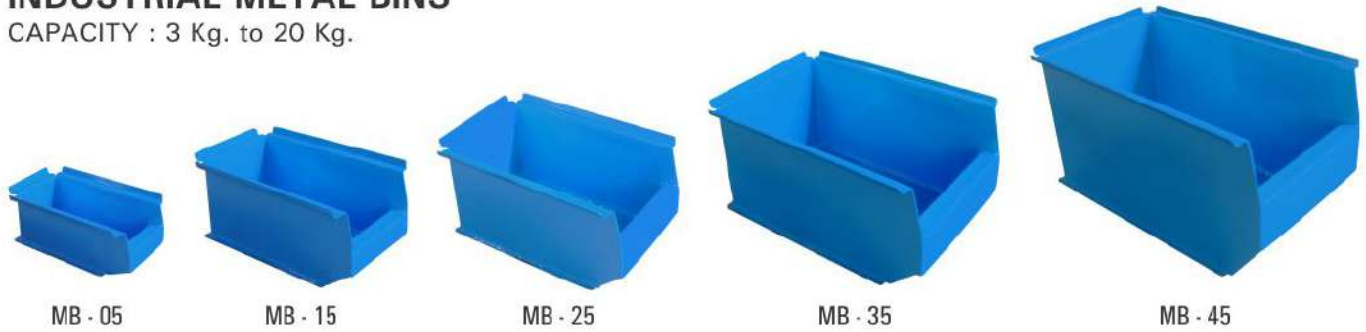


Material is loaded at rear side & is accessed from front side



INDUSTRIAL METAL BINS

CAPACITY : 3 Kg. to 20 Kg.



- Industrial Metal Bins are manufactured from m.s. sheet bended to form 'U' shape sides & 'L' shape base & are welded together to form a bin.
- High quality welding gives leakproof bins with good strength.
- Bins are stackable & are semi open in front in order to identify the material kept in as well as easy access to material when stacked one above other.
- Rubber bid is provided near handle edge for easy & better grip while handling.
- Bins are available in various sizes to cater general industrial, automobile, electronics, hardware & many other applications.

MODEL	MB - 05	MB - 15	MB - 25	MB - 35	MB - 45
Capacity (Kg)	3	5	10	15	20
Bin Size (L x W x H mm)	170 x 100 x 75	200 x 125 x 100	230 x 150 x 125	300 x 210 x 160	350 x 210 x 200
Sheet Thickness	1.6 mm	1.6 mm	1.6 mm	1.6 mm	1.6 mm

INDUSTRIAL METAL CRATES

Capacity : 10 Kg. to 50 Kg.



- Industrial Metal Crates are manufactured from m.s. sheet bended to form 'U' shape sides & 'L' shape base & are welded together to form a crate.
- High quality welding gives leakproof crates with good strength.
- Crates are stackable & can be stacked one above other easily.
- Rubber bid is provided near handle edge for easy & better grip while handling.
- Crates are available in various sizes to cater general industrial, automobile, electronics, hardware & many other applications.

MODEL	MC - 3 x 2 x 1	MC - 3 x 2 x 1.5	MC - 3 x 2 x 2	MC - 4 x 3 x 1	MC - 4 x 3 x 1.5	MC - 4 x 3 x 2
Capacity (Kg)	10	15	20	20	25	30
Crate Size (L x W x H mm)	300 x 200 x 100	300 x 200 x 150	300 x 200 x 200	400 x 300 x 100	400 x 300 x 150	400 x 300 x 200
Sheet Thickness	2.5 mm	2.5 mm	2.5 mm	2.5 mm	2.5 mm	2.5 mm

MODEL	MC - 5 x 3 x 1	MC - 5 x 3 x 1.5	MC - 5 x 3 x 2	MC - 6 x 4 x 1	MC - 6 x 4 x 1.5	MC - 6 x 4 x 2
Capacity (Kg)	20	25	30	30	40	50
Crate Size (L x W x H mm)	500 x 300 x 100	500 x 300 x 150	500 x 300 x 200	600 x 400 x 100	600 x 400 x 150	600 x 400 x 200
Sheet Thickness	3 mm	3 mm	3 mm	3 mm	3 mm	3 mm

INDUSTRIAL METAL CONTAINERS

CAPACITY : 300 Kg. to 700 Kg.



MS - 6 x 4 x 3



MS - 9 x 6 x 4



MS - 12 x 7 x 4

- Industrial Metal Containers base is fabricated from single piece m.s. sheet bended to form 'C' channel at ends to give good aesthetic look & is ribbed at bottom with angles to increase strength.
- Container is fitted with 2 fixed & 2 swivel castors for easy mobility.
- Industrial Metal Containers top is manufactured from m.s. sheet bended to form 'U' shape side & 'L' shape base & are welded together to form leakproof container.
- Containers are available in various sizes to cater general industrial, chemicals automobile, electronics, hardware & many other industries & applications.
- STAINLESS STEEL CONTAINERS ARE AVAILABLE

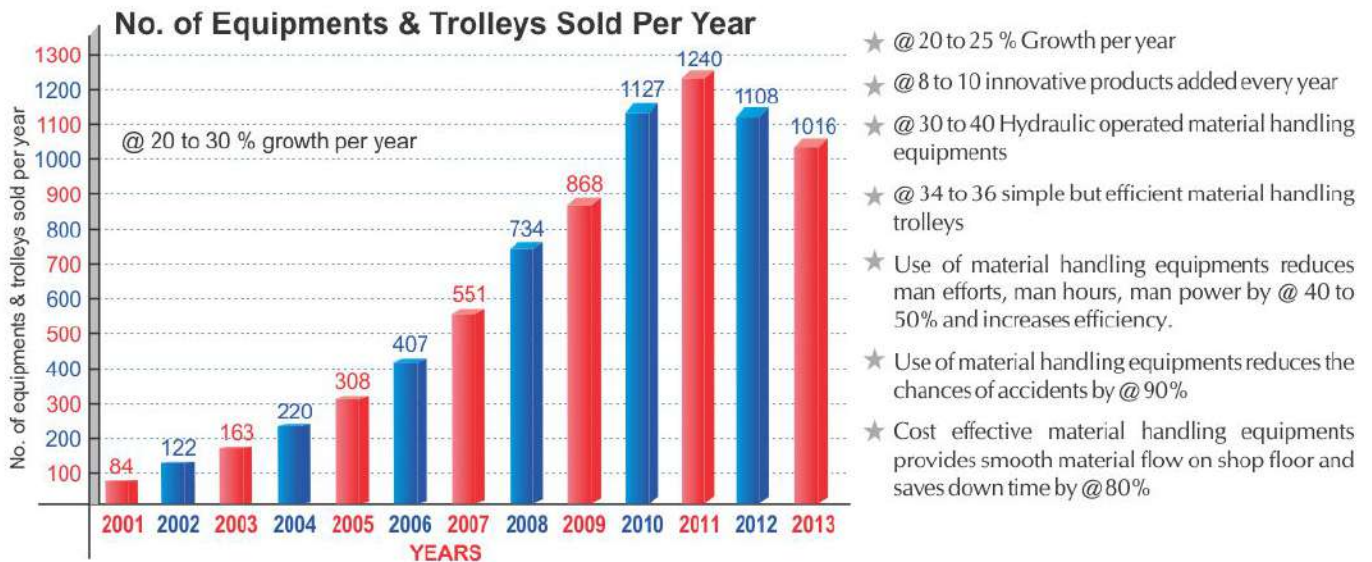
MODEL	MS - 6 x 4 x 3	MS - 6 x 4 x 4	MS - 6 x 4 x 6
Capacity (Kg)	300	300	300
Container Size (L x W x H mm)	600 x 450 x 300	600 x 450 x 450	600 x 450 x 600
Handle Height (mm)	950	950	950
Container top height (mm)	485	635	785
Castor Wheel (Dia x Width mm)	100 x 32	100 x 32	100 x 32

MODEL	MS - 9 x 6 x 3	MS - 9 x 6 x 4	MS - 9 x 6 x 6
Capacity (Kg)	500	500	500
Container Size (L x W x H mm)	900 x 600 x 300	900 x 600 x 450	900 x 600 x 600
Handle Height (mm)	950	950	950
Container top height (mm)	540	690	840
Castor Wheel (Dia x Width mm)	150 x 50	150 x 50	150 x 50

MODEL	MS - 12 x 7 x 3	MS - 12 x 7 x 4	MS - 12 x 7 x 6
Capacity (Kg)	700	700	700
Container Size (L x W x H mm)	1250 x 750 x 300	1250 x 750 x 450	1250 x 750 x 600
Handle Height (mm)	950	950	950
Container top height (mm)	590	740	890
Castor Wheel (Dia x Width mm)	200 x 50	200 x 50	200 x 50

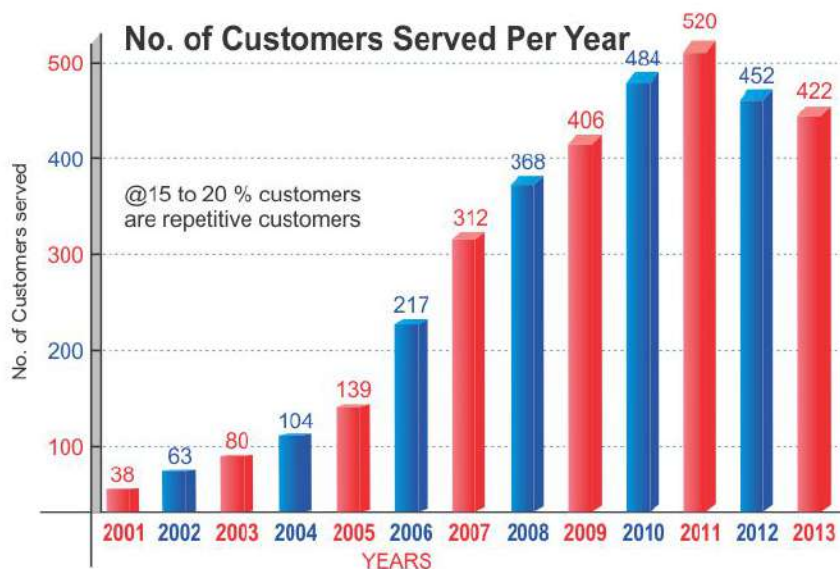
OUR VALUED CUSTOMERS

A.K.P. Foundries P. Ltd. (Belgaum)	Bharat Forge Ltd. (Baramati)	Dhind Wire Products P. Ltd. (Satara)
Abhishek Alloys Pvt. Ltd. (Belgaum)	Bhushan Power & Steel Ltd. (Kolkata)	Dimple Chemical P. Ltd. (Pune)
ABS Electroplaters (I) Pvt. Ltd. (Goa)	Bhushan Power & Steel Ltd. (Orissa)	Doehler India Pvt. Ltd. (Pune)
Accurate Gauging & Instruments Pvt. Ltd.	Birla Precision Tech. Ltd. (Aurangabad)	Dol Motors Pvt. Ltd. (Mumbai)
Aditi Foods (I) Pvt. Ltd. (Sangli)	Bodycote Metallurgical (Pune)	Efficant Machine Accesso. (Pune)
Aditya Auto Prod. & Eng. P. Ltd. (Pune)	Brinton Carpet Asia (P) Ltd. (Pune)	Electrica Engineers (I) P.L. (Pune)
Aditya Polymers (Chikhali, Pune)	Buchade Metalcraft Pvt. Ltd. (Dombivli)	Electronica Plastic Machines Ltd. (Pune)
Advance Metal Powder (Mumbai)	Budhale & Budhale (Kolhapur)	Emcure Pharmaceuticals Ltd. (Pune)
Advik Hi-Tech Pvt. Ltd. (Pune)	Cargil Foods Industries (Kurkumbh)	Emerson Network Power P. Ltd. (Pune)
Aerocans India Pvt. Ltd. (Khandala)	Caspro Metal Industries (Kolhapur)	Empire Spices & Foods Ltd. (Nashik)
Aerofine Polymers Pvt. Ltd. (Pune)	Castall Industries (Kolhapur)	Emuge India Pvt. Ltd. (Pune)
AFXQ Engineers (Kolhapur)	Century Enka Ltd. (Pune)	Encube Ethicals Pvt. Ltd. (Goa)
Alfa Lawal Ltd. (Satara, Sarola, Pune)	Ceraflux India Pvt. Ltd. (Kolhapur)	Excella Pencils Ltd. (Sangli)
Alucast Auto Parts Ltd. (Belgaum)	Champion CNC Engg. Work (Pune)	Exide Industries Ltd. (Pune)
Amber Nutrition P. Ltd. (Indor)	Chheda Elect & Electronics P.L. (Roorkee)	Farbizo (Goa)
Ampacet Speciality Prod. P. Ltd. (Pune)	Cipla Ltd. (Kurkumbh, Mumbai)	Fiat India Automobiles P. L. (Pune)
Amtek Auto Ltd. (Pune)	Climate Systems Engineers (Pune)	Fine Technoplast (Pune)
Aras Metal Castings (Pune)	Colour Bond (Pune)	Finolex Cables Ltd. (Pune)
Arni Mech Products Pvt. Ltd. (Kolhapur)	Cooper Foundry Pvt. Ltd. (Satara)	Fitwel Gasket Company (Pune)
Ashvini Magnet Pvt. Ltd. (Pune)	Craft & Technik Industries (Pune)	Flectguard Filters Pvt. Ltd. (Pune)
Asseal India Pvt. Ltd. (Pune)	Crompton Greaves Ltd. (Ahmednagar)	Flow Well Pumps & Meters (Bangalore)
Atlas Copco (India) Ltd. (Nashik)	Crystal Surfactants (Paithan, A'bad)	Fluid Line (Jaysingpur)
Avik Polychem (Pune)	Cygnat Surface Coating (Pune)	Forbes Marshall Ltd. (Pune)
B.D. Industries Pvt. Ltd. (Pune)	Dana India Pvt. Ltd. (Pune)	Fortune Foods Ltd. (Nashik)
B.V.BIO-CORP PVT. LTD (Bhor)	Datwyler Pharma Pack I.P. Ltd. (Shirval)	Fortune India (Pune)
Badave Auto Comp. (Pune, A.bad)	DC Cable India Pvt. Ltd. (Kudal)	Fosroc Chemicals Pvt. Ltd. (Banglore)
Bajaj Auto Ltd. (Waluj, A.bad)	Desai Brothers Ltd. (Pune)	Fuchs Lubricants I. Pvt. Ltd. (Mumbai)
Baramati Cattle Feeds (Baramati)	Dewas Techno Products P. Ltd. (M.P.)	Fuel Instruments & Engg. (Kolhapur)



OUR VALUED CUSTOMERS

Gainmax Ferrocast P. Ltd. (Kolhapur)	Intelux Electronics Pvt. Ltd. (Pune)	Mantri Metallics P. Ltd. (Kolhapur)
Galaxy Allaluminium LLP (Sangli)	Involute Technology P. I. (Pune)	Marshall Laboratories Pvt. Ltd. (Pune)
Garware Polyester Ltd. (Aurangabad)	J.K. Packing Industry (Kolhapur)	Marvelous Machinist P. Ltd. (Kolhapur)
Gauri Fine Chemicals (Pune)	Jagadeesh Iron & Steels P. Ltd. (Miraj)	Mather & Platt Pumps (Kolhapur, Pune)
Gayatree Polymers Pvt. Ltd. (Pune)	Jain Spices (I) P. Ltd. (Aurangabad)	Matrix Eng. Technique (Ahmednagar)
General Machine Tools (Ichalkaranji)	Jay Hind Scialy Ltd. (Pune)	Megatech Power Equip. P. Ltd. (Pune)
Godawari Udyog (Sangli)	Jayashree Polymers Pvt. Ltd. (Pune)	Melting Center (Kolhapur)
Godrej Agrovet Limited (Baramati)	JCB Manufacturing Ltd. (Pune)	Menon & Menon Ltd. (Kolhapur)
Godrej Agrovet Limited (Satara)	K & K Foundry Pvt. Ltd. (Kolhapur)	Merasha Shapers P. Ltd. (Kolhapur)
Godrej Beverages & Foods (Bhopal)	K.C. Patankar & Sons. (Belgaum)	Metal House (Chattisgarh)
Golden Cross Pharma P.I. (Sikkim)	Kalyani Forge Ltd. (Pune)	Metalmen Auto (Aurangabad)
Gole Precision Tools Pvt. Ltd. (Pune)	Kansai Nerolac Paints Ltd. (Pune)	Midas Care Pharmaceut (Aurangabad)
Greenspan Agritech P. Ltd. (Pune)	Khandelwal Machine P. Ltd. (A'Nagar)	Mindarika Pvt. Ltd. (Pune)
Grihalaxmi Petal Indus. (Belgaum)	Khas Export Pvt. Ltd. (Kolhapur)	Mutual Industries Ltd. (Pune)
Grindwell Norton Ltd. (Mumbai)	Khosala Engineering P. Ltd. (Pune)	Narkars Foods (Kolhapur)
H.T. Switchgears (Pune)	Kirloskar Brother Ltd. (Sangli)	National Panasonic (Ranjangaon)
Halides Chemicals P. Ltd. (Kurkumbh)	Kirloskar Oil Engine (Kolhapur)	Navigiri Industries (Aurangabad)
Helvoet Pharma India Ltd. (Khandala)	Kirloskar Pneumatic Co. P.L. (Pune)	Neo Toil-S Industries (Pune)
Hindustan Unilever Ltd. (Buldhana)	Krohne Marshall P. Ltd. (Pune)	Nippon Paints (India) P. L. (Taloja)
Hoganas India P.L. (Ahmednagar)	KSB Pumps Pvt. Ltd. (Nasik)	Okasa Pharma Pvt. Ltd. (Satara)
Honeywell Automation (I) Ltd. (Pune)	KSPG Automotive (I) P. Ltd. (A.nagar)	Omega Industries (Sangli)
Ichalkaranji Metalloy (Ichalkaranji)	Kwality Paints & Coating P. Ltd. (Pune)	Oriental Rubber (Pune)
Iconic Castings Pvt. Ltd. (Kolhapur)	Larsen & Toubro Ltd. (Ahmednagar)	Padma Industries (Belgaum)
Ideal Chemi Plast (Badlapur, Mumbai)	LG Electronics (Pune)	Parvati Agro Plast (Kolhapur)
Ikon Moulders Pvt. Ltd. (Ahmednagar)	L'oreal India Pvt. Ltd. (Pune)	Parvati Foundry (Hatkanangale)
Indo Schottle A. Parts P. Ltd. (Belgaum)	Mahalaxmi Metals (Kolhapur)	Patson Foods (I) Pvt. Ltd. (Gujrat)
Indo Schottle Auto Parts PL (Pune)	Mahindra & Mahindra Ltd. (Nasik)	Pentagon Assembly Automatio (Pune)
Inspece Metrology (Pune)	Manasi Pressings Pvt. Ltd. (Pune)	Perfect Auto Plast (Pune)



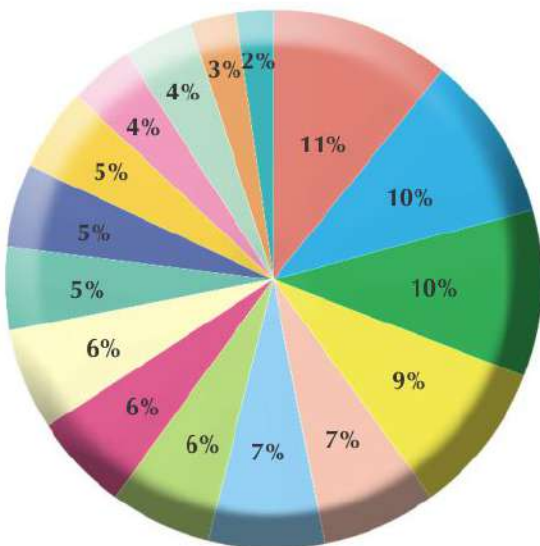
OUR STAR CUSTOMERS

- ★ Alfa Level Ltd. - @ 46 Equipments
- ★ Nerolac Paints Ltd. - @ 41 Equipments
- ★ Orchid Chemicals Ltd. - @ 35 Equipments
- ★ Garware Polyester Ltd. - @ 32 Equipments
- ★ Mather & Platt Ltd. - @ 31 Equipments
- ★ Kirloskar Pneumatic Ltd. - @ 28 Equipments
- ★ Suessen Asia India Pvt. Ltd. - @ 25 Equipments
- ★ ZF India Pvt. Ltd. - @ 23 Equipments
- ★ KSB Pumps Ltd. - @ 22 Equipments
- ★ Universal Equip. Pvt. Ltd. - @ 20 Equipments
- ★ Forbes Marshall Pvt. Ltd. - @ 19 Equipments
- ★ Wave Suspension Pvt. Ltd. - @ 17 Equipments

OUR VALUED CUSTOMERS

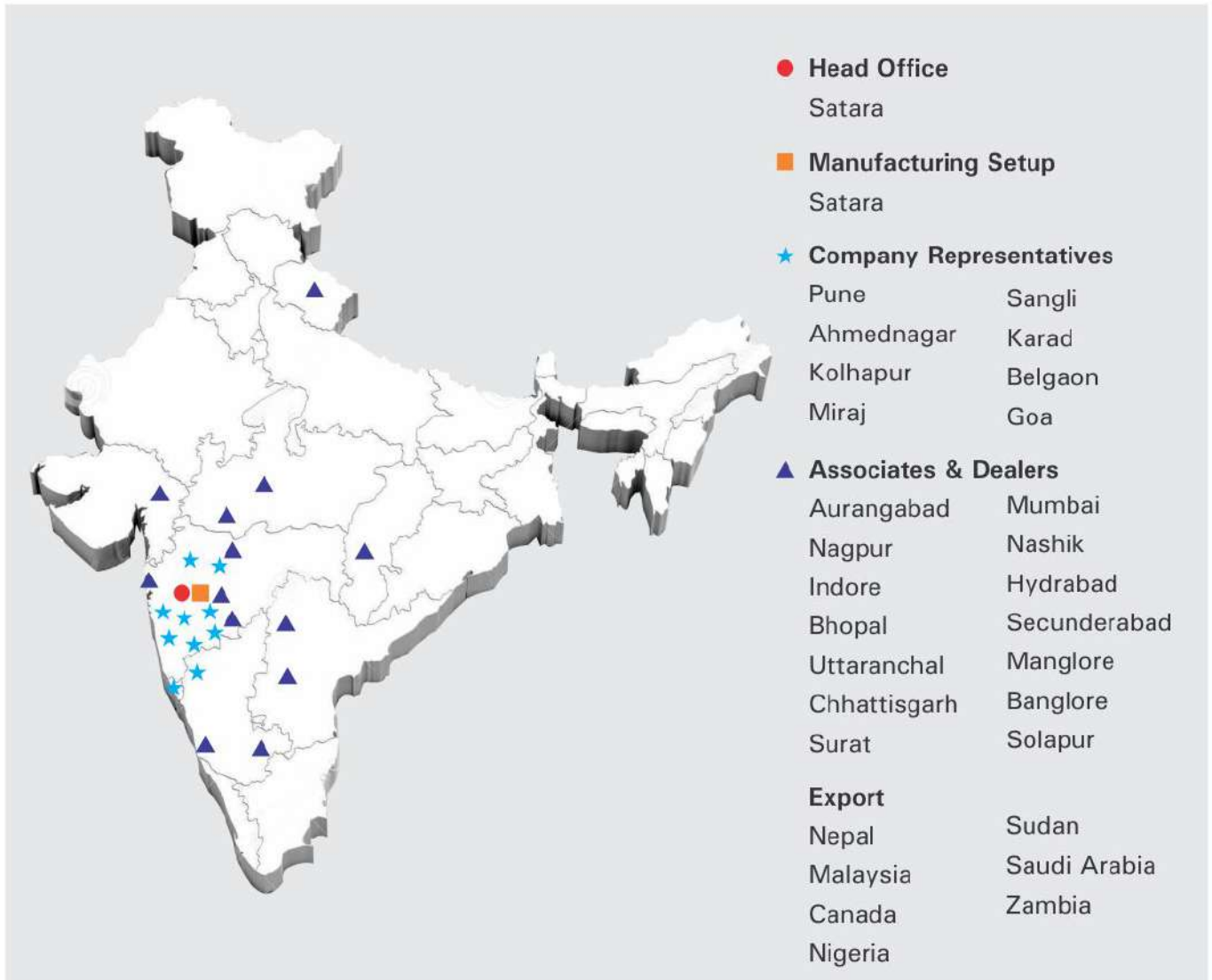
Perfect Hydraulic Machine (Thane)	Rolish Agrotech (Kolhapur)	Tech-Mark Automation & Control (Pune)
Perfect Packaging (Pune)	Royal Foodstuffs P. Ltd. (Karad)	Teekay Metaflex (Nashik)
PG Electroplast Ltd. (Ahmednagar)	Samarth Foundry (Kolhapur)	Tenova Hypertherm (P) Ltd. (Vasai)
Phoenix Industries (Pune)	Satara Roller Flour Mills P. Ltd. (Satara)	The Supreme Industries Ltd. (Pune)
Piaggio Vehicles Pvt. Ltd. (Baramati)	Schnell Patterns & Dies P. Ltd. (Pune)	Thyssenkrupp Elect. Steel (Nashik)
Polychem (Pune)	Shani Iron & Steel (Belgaum)	Total Loistics Ltd. (Wagholi, Pune)
Polymer India (Jabalpur)	Shiram Foundry Ltd. (Uttaranchal)	Tradiant Pharma (Pune)
Pooja Gasling Pvt. Ltd. (Pune)	Shree Padmavati CNC Engg. (Kolhapur)	Trans Mech Systems (Baramati)
Powertherm Capacitors (Pune)	Shubh-Neel Chemicals (Pune)	Trimurti Corns Agro Foods (Pune)
PPG India Pvt. Ltd. (Shirwal, Satara)	Siemens India Ltd. (Thane)	Tulip Casting Pvt. Ltd. (Kolhapur)
Praditi Pressparts Pvt. Ltd. (Pune)	Skeo Paints Products (Pune)	Unique Auto Assemblies (Ichalkaranji)
Pradity Press Parts (Pune)	Soham Udyog (Khed-Shivapur)	Unique Surface Coating (Pune)
Praj Industries Ltd. (Gujrat)	Sonai Engineering Pvt. Ltd. (Kolhapur)	Unitharm Engineers Ltd. (Pune)
Pravin Masalewale (Pune)	Sound Casting Pvt. Ltd. (Kolhapur)	Universal Containers P. Ltd. (Satara)
Preciforge & Gears (Chakan, Pune)	Spak Orgochem (I) Pvt. Ltd. (Thane)	Valveworks India Pvt. Ltd. (Pune)
Precision Sales Mfg. Ltd. (Pune)	Specially Polyfilms (Aurangabad)	Venky's India Ltd. (Pune)
Privilege Industries Ltd. (Lonand)	Spicer India Ltd. (Satara, Pune)	Versatile Equipments (Kolhapur)
Procomp Tools Pvt. Ltd. (Pune)	Sprax Marshall Pvt. Ltd. (Pune)	Victory Precision Pvt. Ltd. (Pune)
Pudhari Publication P. Ltd. (Kolhapur)	Stationery Point India Ltd. (Kaledhon)	Vishwakarma Founders P. Ltd. (Kolhapur)
Quality Machine Tools (Indore, M.P.)	Sukrut Electric Co. P. Ltd. (Pune)	Volkswagen India Pvt. Ltd. (Pune)
Quest Global Mfg. Pvt. Ltd. (Belgaum)	Sun Abrasives (Aurangabad)	Walter Pack Automative Prod. (Pune)
Racold Thermo Ltd. (Pune)	Supreme Treves Pvt. Ltd. (Pune)	Wave Suspension (Pune)
Radhesham Wallpack P. L. (Pune)	Suraj Pressing Pvt. Ltd. (Ahmednagar)	Wonder Pressing Pvt. Ltd. (Pune)
Rainbow Deco Plas P. Ltd. (Nashik)	Swift Technoplast P. Ltd. (Mumbai)	Yamuna Industries (Pune)
Rajnandini Foods P. Ltd. (Belgaum)	Takshi Auto Comp. Ltd. Ltd. (Pune)	Yash Metallics P. Ltd. (Kolhapur)
Rajstan Textiles Mills Ltd. (Rajstan)	Tasty Bite Eatables Ltd. (Pune)	Yeshshree Press Comp. P. L. (A'Bad)
RC Quality Solucations (Pandharpur)	Tata Motors Ltd. (Pimpri-Pune)	ZF India Pvt. Ltd. (Pune)
Rocket Engineering P. Ltd. (Kolhapur)	Tata Motors Ltd. (Pimpri-Pune)	Zorac Industries (Pune)

SECTORS WE SERVED



- Automobile - 11%
- Engineering - 10%
- Logistic - 10%
- Machine Tools - 9%
- Chemical - 7%
- Paper Industries - 7%
- Cold Storage - 6%
- Construction - 6%
- Pharma Industries - 6%
- Food Industries - 5%
- Electronics - 5%
- Others - 5%
- Agriculture - 4%
- Plastic Industries - 4%
- Textile - 3%
- Airline Sector - 2%

NATION WIDE SALES NETWORK



Training Centre

Kotibhaskar Material Handling Equipments have started after Sales Service Training Centre at their Satara Plant. All our representatives, dealers and associates undergo after sales servicing training programme once in year in order to provide quick service at their destination to prevent down time of equipment. Many companies send their maintenance person to our training programme.

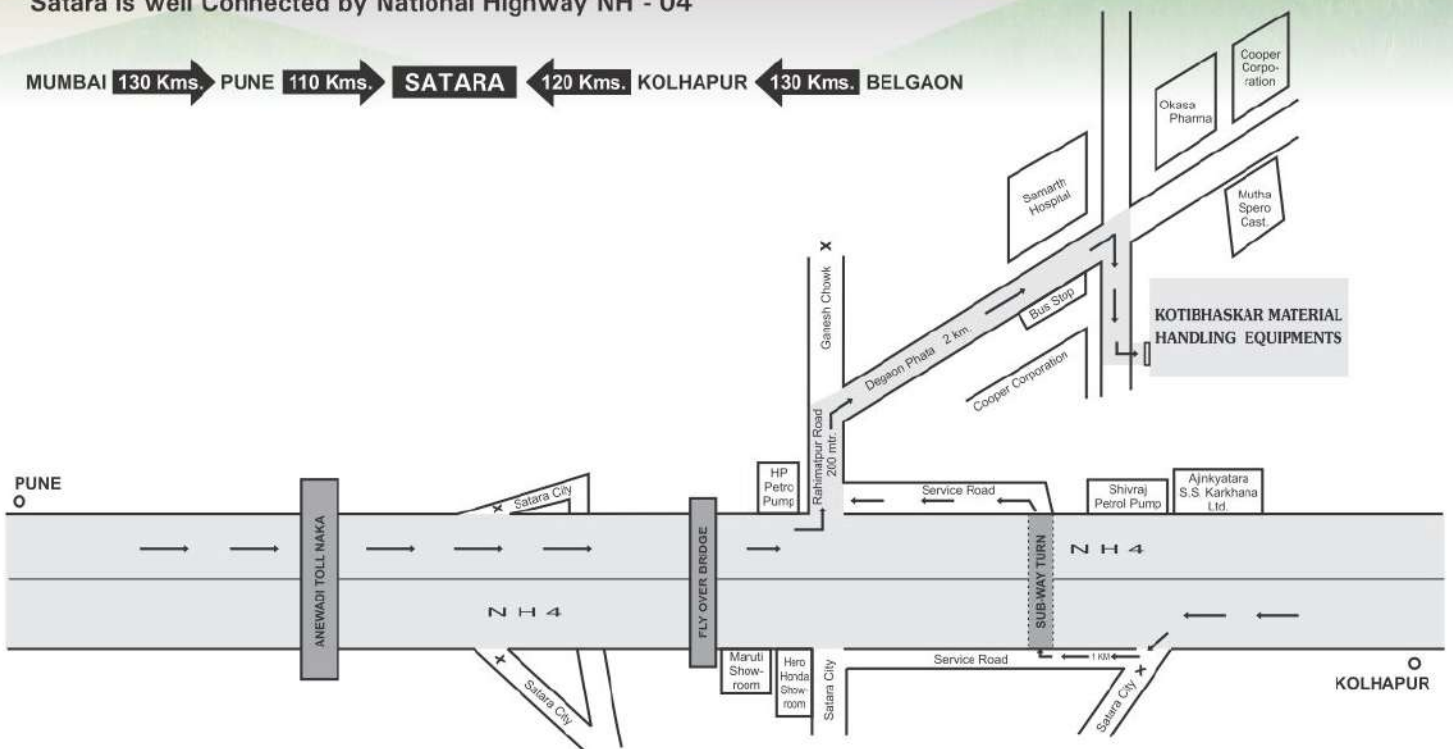




LOCATION MAP

Satara is well Connected by National Highway NH - 04

MUMBAI 130 Kms. PUNE 110 Kms. **SATARA** 120 Kms. KOLHAPUR 130 Kms. BELGAON



• *Kotibhaskar Material Handling Equipments reserves the rights to introduce changes without prior notice.*
 • *Copyright in the above material subsists in common law with the company. No portion of the material or the entire material may be photo copied in any manner without the prior approval of the company.*

The Manufacturer and Exporter
KOTIBHASKAR MATERIAL HANDLING EQUIPMENTS
 Plot No. K-3/2/1, Additional M.I.D.C., Satara - 415 004.
 • Ph : (02162) 240139 , 240129 , 240138
 • Cell : 98224 13252, 94204 93050
 • Email : amodsales@gmail.com , amodsatara@gmail.com
 • Website : www.kotibhaskar.in

Nationwide Sales Network
 Authorised Distributors in
 Mumbai, Pune, Nashik, Aurangabad,
 Ahmednagar, Nagpur, Kolhapur,
 Sangli, Solapur, Belgaum, Goa, Indore,
 Bhopal, Uttaranchal, Chhattisgarh,
 Secunderabad, etc.